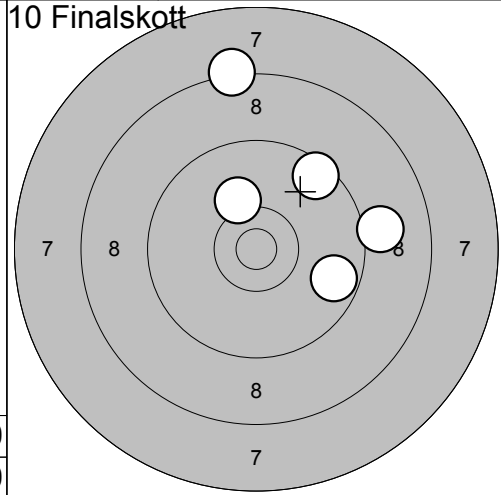
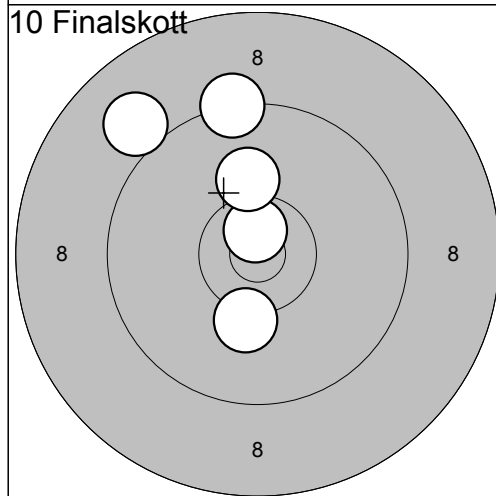


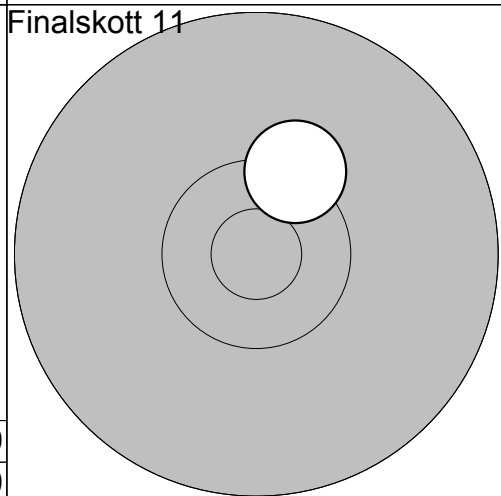
1:10,0	↖
2: 8,9	↙
3: 8,6	↖
4:10,2	→
5:10,1	↗
<b>Serie</b>	<b>46,0</b>
<b>Totalt</b>	<b>183,0</b>



1: 9,7	→
2: 9,1	→
3: 8,3	↑
4: 9,5	↗
5:10,2	↑
<b>Serie</b>	<b>45,0</b>
<b>Totalt</b>	<b>228,0</b>



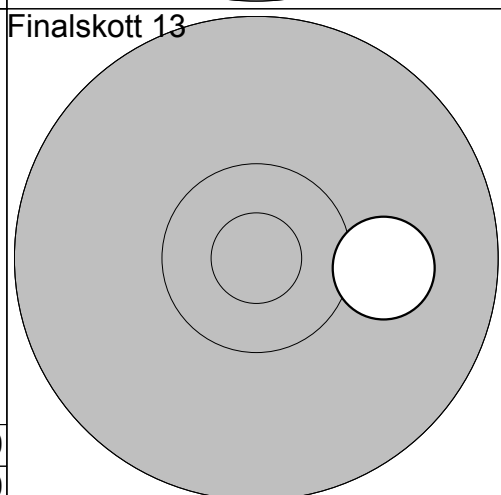
6:10,7*	↑
7:10,1	↑
8: 9,0	↖
9: 9,3	↑
10:10,2	↓
<b>Serie</b>	<b>48,0</b>
<b>Totalt</b>	<b>276,0</b>



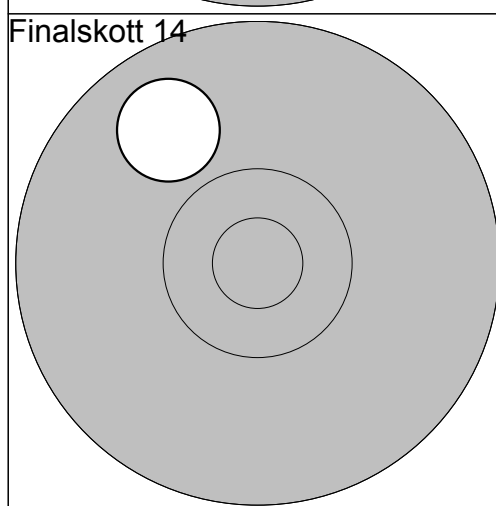
1:10,3*	↗
<b>Serie</b>	<b>10,0</b>
<b>Totalt</b>	<b>286,0</b>



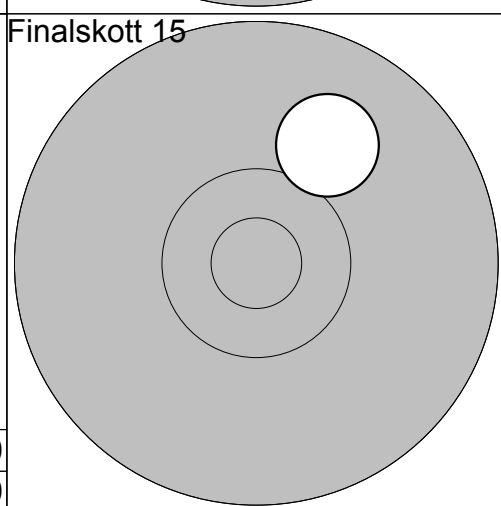
1:10,7*	↖
<b>Serie</b>	<b>10,0</b>
<b>Totalt</b>	<b>296,0</b>



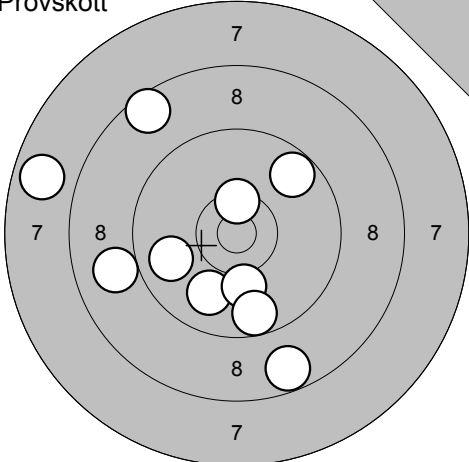
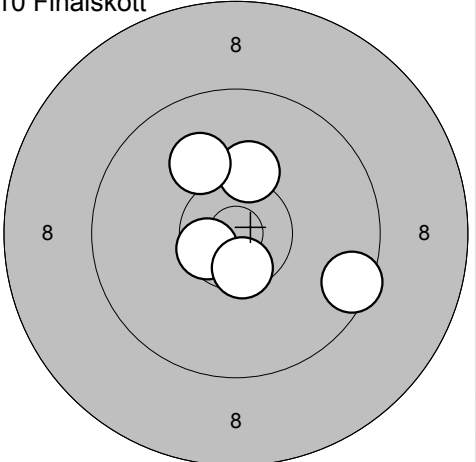
1:10,1	→
<b>Serie</b>	<b>10,0</b>
<b>Totalt</b>	<b>306,0</b>

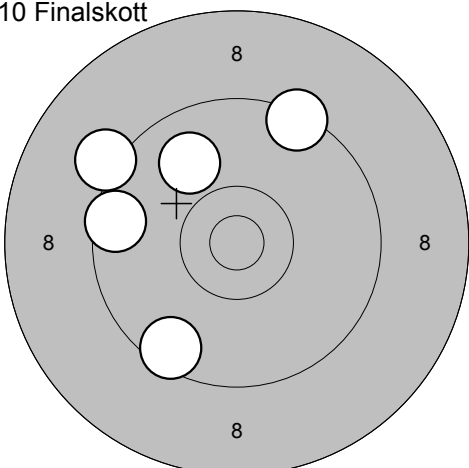
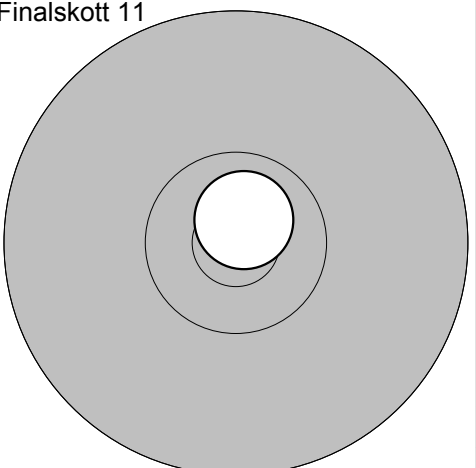


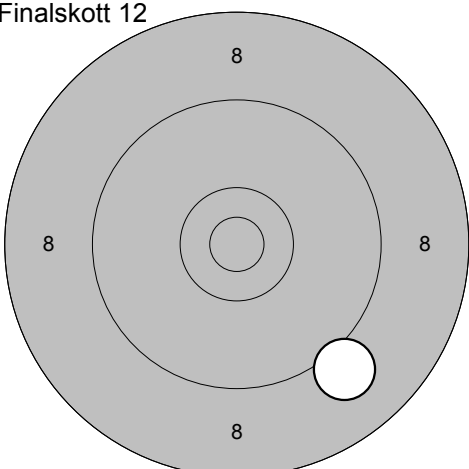
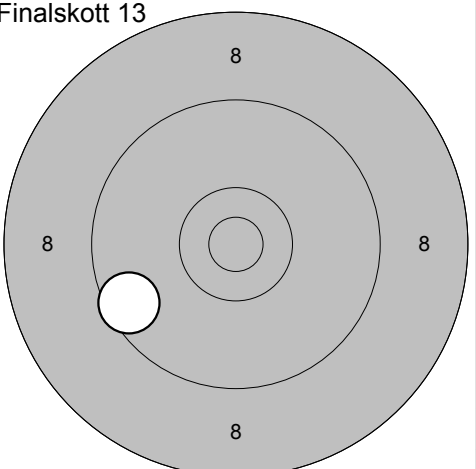
1: 9,9	↖
<b>Serie</b>	<b>9,0</b>
<b>Totalt</b>	<b>315,0</b>

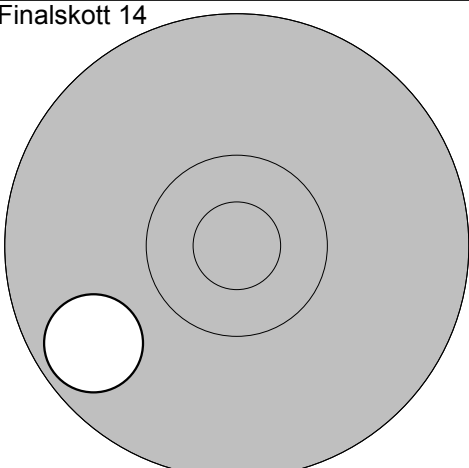
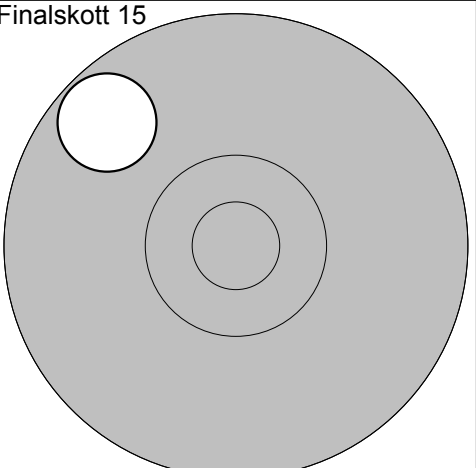


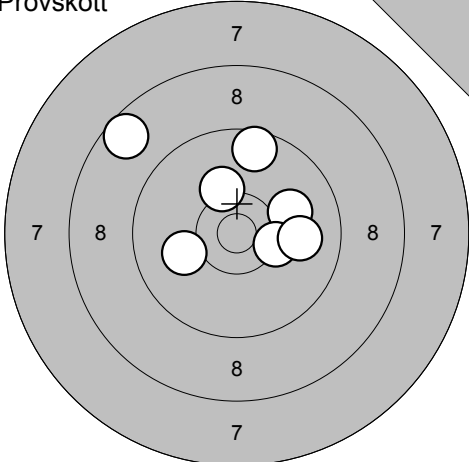
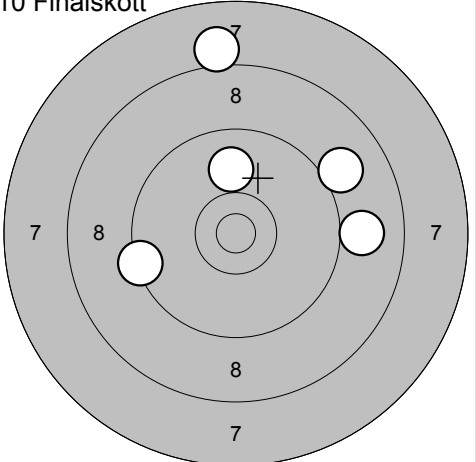
1:10,0	↗
<b>Serie</b>	<b>10,0</b>
<b>Totalt</b>	<b>325,0</b>

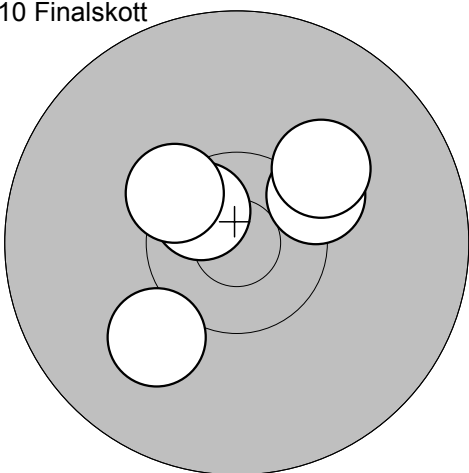
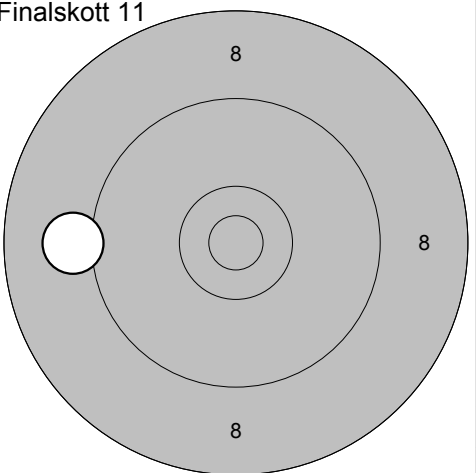
<p><b>Provskott</b></p> 	<p>1: 8,6 ↗                  2: 8,7 ↓                  3: 9,9 ↓                  4: 10,1 ↓                  5: 9,8 ←                  6: 9,7 ↓                  7: 9,0 ←                  8: 9,7 ↗                  9: 10,4* ↑                  10: 7,8 ←</p> <table border="1" style="width:100%; border-collapse: collapse;"> <tr><td>Serie</td><td style="text-align: right;">88,0</td></tr> <tr><td>Totalt</td><td style="text-align: right;">182,0</td></tr> </table>	Serie	88,0	Totalt	182,0	<p><b>10 Finals-kott</b></p>  <p>1: 10,6* ↙                  2: 9,5 ↘                  3: 10,5* ↓                  4: 10,2 ↑                  5: 10,1 ↗</p> <table border="1" style="width:100%; border-collapse: collapse;"> <tr><td>Serie</td><td style="text-align: right;">49,0</td></tr> <tr><td>Totalt</td><td style="text-align: right;">231,0</td></tr> </table>	Serie	49,0	Totalt	231,0
Serie	88,0									
Totalt	182,0									
Serie	49,0									
Totalt	231,0									

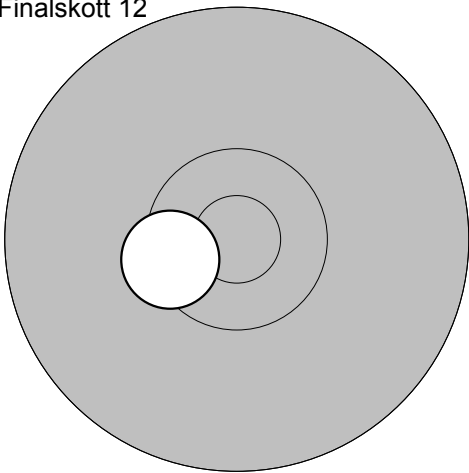
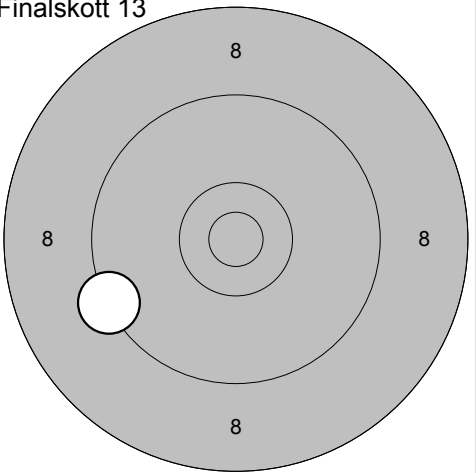
<p><b>10 Finals-kott</b></p> 	<p>6: 9,9 ↗                  7: 9,2 ↙                  8: 9,4 ↗                  9: 9,5 ↓                  10: 9,5 ←</p> <table border="1" style="width:100%; border-collapse: collapse;"> <tr><td>Serie</td><td style="text-align: right;">45,0</td></tr> <tr><td>Totalt</td><td style="text-align: right;">276,0</td></tr> </table>	Serie	45,0	Totalt	276,0	<p><b>Finalskott 11</b></p>  <p>1: 10,8* ↑</p> <table border="1" style="width:100%; border-collapse: collapse;"> <tr><td>Serie</td><td style="text-align: right;">10,0</td></tr> <tr><td>Totalt</td><td style="text-align: right;">286,0</td></tr> </table>	Serie	10,0	Totalt	286,0
Serie	45,0									
Totalt	276,0									
Serie	10,0									
Totalt	286,0									

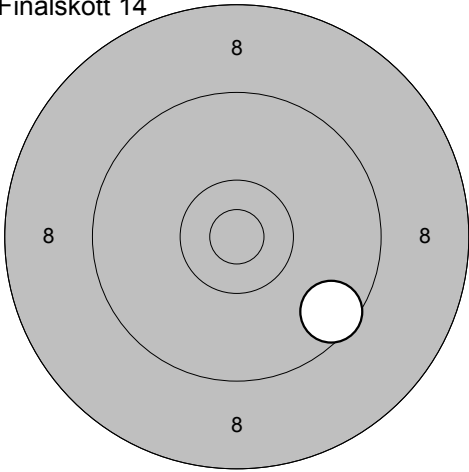
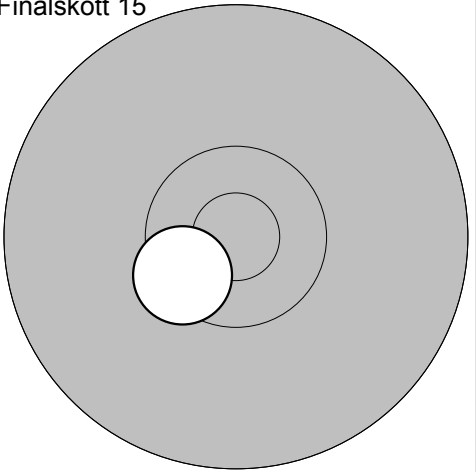
<p><b>Finalskott 12</b></p> 	<p>1: 9,1 ↓</p> <table border="1" style="width:100%; border-collapse: collapse;"> <tr><td>Serie</td><td style="text-align: right;">9,0</td></tr> <tr><td>Totalt</td><td style="text-align: right;">295,0</td></tr> </table>	Serie	9,0	Totalt	295,0	<p><b>Finalskott 13</b></p>  <p>1: 9,6 ↙</p> <table border="1" style="width:100%; border-collapse: collapse;"> <tr><td>Serie</td><td style="text-align: right;">9,0</td></tr> <tr><td>Totalt</td><td style="text-align: right;">304,0</td></tr> </table>	Serie	9,0	Totalt	304,0
Serie	9,0									
Totalt	295,0									
Serie	9,0									
Totalt	304,0									

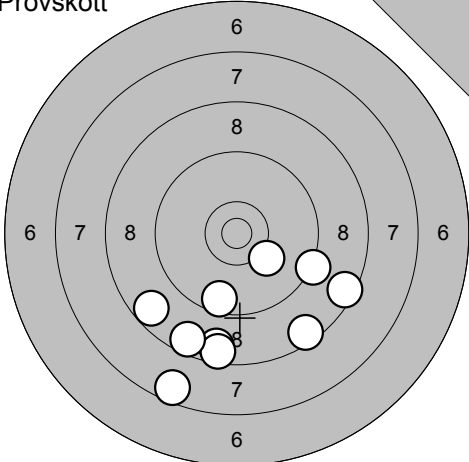
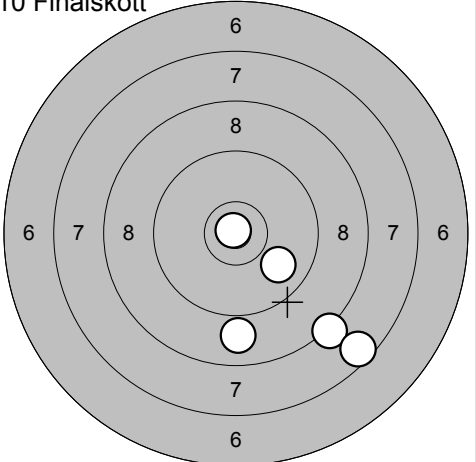
<p><b>Finalskott 14</b></p> 	<p>1: 9,7 ↙</p> <table border="1" style="width:100%; border-collapse: collapse;"> <tr><td>Serie</td><td style="text-align: right;">9,0</td></tr> <tr><td>Totalt</td><td style="text-align: right;">313,0</td></tr> </table>	Serie	9,0	Totalt	313,0	<p><b>Finalskott 15</b></p>  <p>1: 9,7 ↗</p> <table border="1" style="width:100%; border-collapse: collapse;"> <tr><td>Serie</td><td style="text-align: right;">9,0</td></tr> <tr><td>Totalt</td><td style="text-align: right;">322,0</td></tr> </table>	Serie	9,0	Totalt	322,0
Serie	9,0									
Totalt	313,0									
Serie	9,0									
Totalt	322,0									

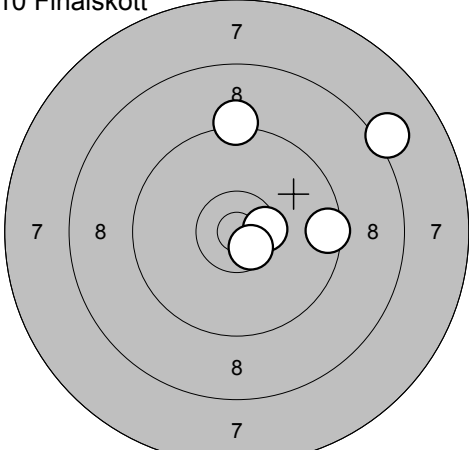
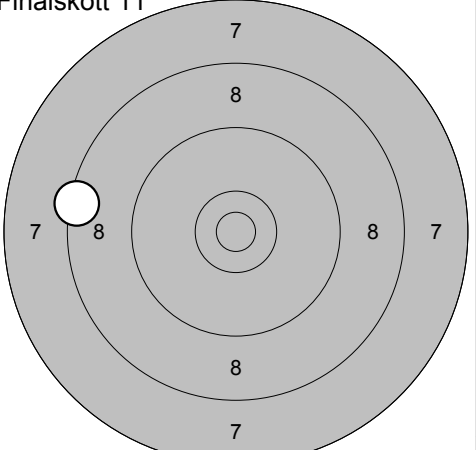
<p><b>Provs-kott</b></p> 	<p>1: 10,0 →</p> <p>2: 8,6 ↖</p> <p>3: 9,6 ↑</p> <p>4: 10,1 ←</p> <p>5: 10,3* →</p> <p>6: 9,9 →</p> <p>7: 10,2 ↑</p>	<p><b>10 Finalskott</b></p> 	<p>1: 9,0 →</p> <p>2: 8,1 ↑</p> <p>3: 9,4 ←</p> <p>4: 9,0 ↗</p> <p>5: 10,0 ↑</p>
Serie 66,0		Serie 45,0	
Totalt 182,0		Totalt 227,0	

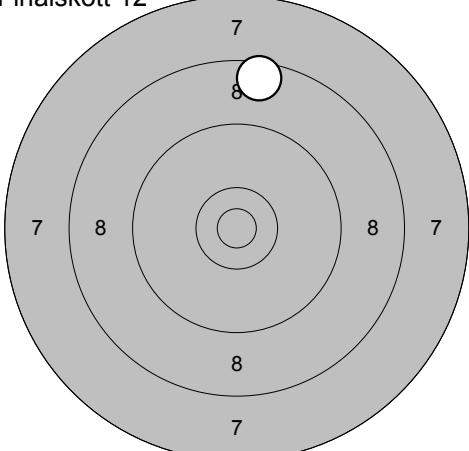
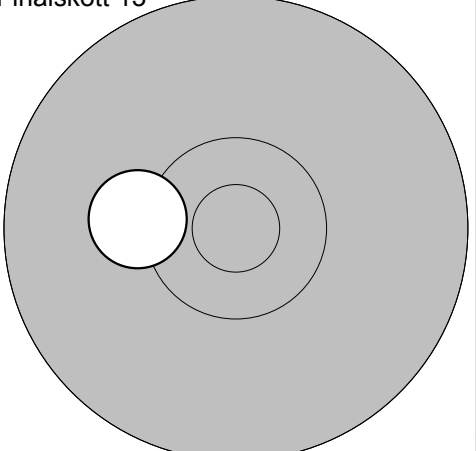
<p><b>10 Finalskott</b></p> 	<p>6: 10,6* ↖</p> <p>7: 10,1 ↙</p> <p>8: 10,3* ↗</p> <p>9: 10,2 ↗</p> <p>10: 10,4* ↖</p>	<p><b>Finalskott 11</b></p> 	<p>1: 9,1 ←</p>
Serie 50,0		Serie 9,0	
Totalt 277,0		Totalt 286,0	

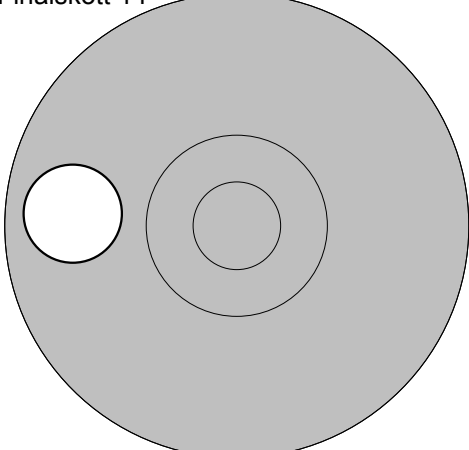
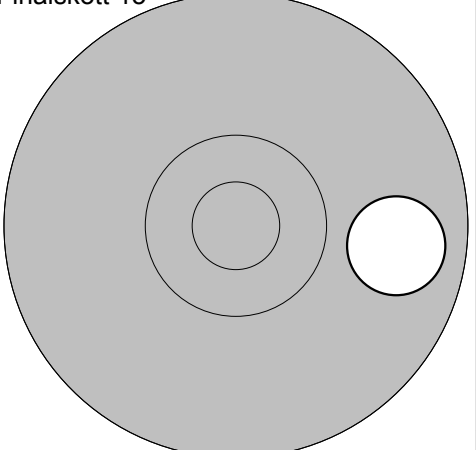
<p><b>Finalskott 12</b></p> 	<p>1: 10,5* ←</p>	<p><b>Finalskott 13</b></p> 	<p>1: 9,3 ↙</p>
Serie 10,0		Serie 9,0	
Totalt 296,0		Totalt 305,0	

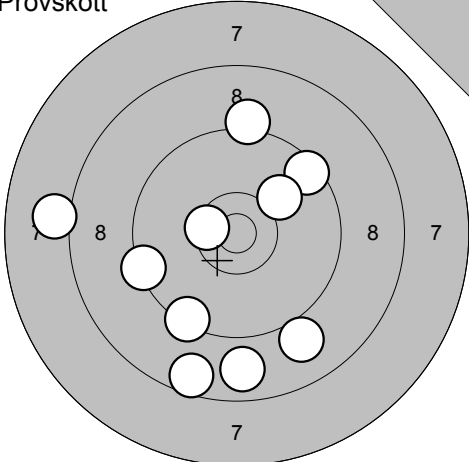
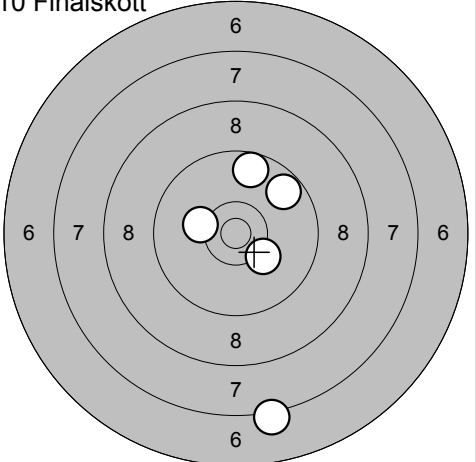
<p><b>Finalskott 14</b></p> 	<p>1: 9,6 ↘</p>	<p><b>Finalskott 15</b></p> 	<p>1: 10,5* ↙</p>
Serie 9,0		Serie 10,0	
Totalt 314,0		Totalt 324,0	

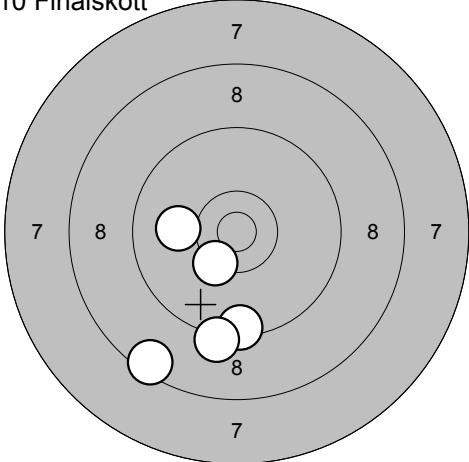
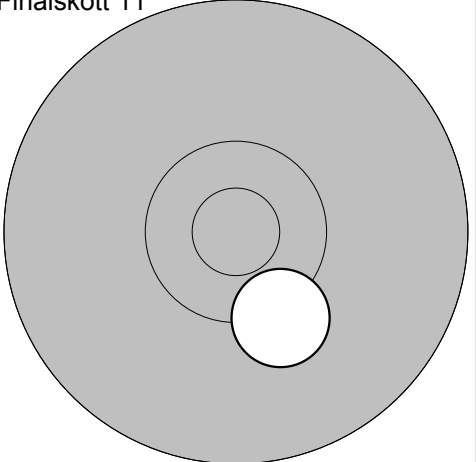
<p>Provs-kott</p> 	<p>10 Finals-kott</p> 
<p>1: 9,3 →</p> <p>2: 8,5 ↓</p> <p>3: 8,6 ↓</p> <p>4: 8,6 ↓</p> <p>5: 7,6 ↓</p> <p>6: 8,6 ↓</p> <p>7: 9,6 ↓</p> <p>8: 10,2 ↓</p> <p>9: 8,7 ↙</p> <p>10: 8,5 →</p>	<p>1: 8,2 ↓</p> <p>2: 7,6 ↓</p> <p>3: 8,9 ↓</p> <p>4: 10,9* ↗</p> <p>5: 9,9 ↓</p>
Serie 83,0	Serie 42,0
Totalt 178,0	Totalt 220,0

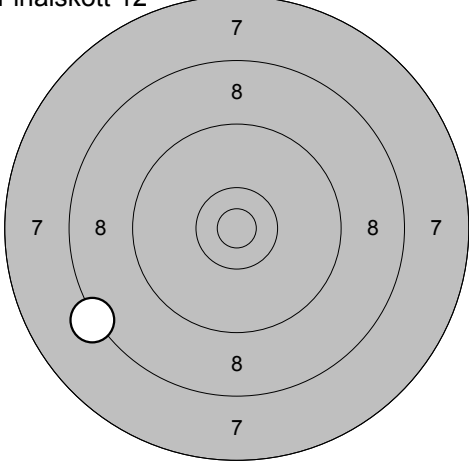
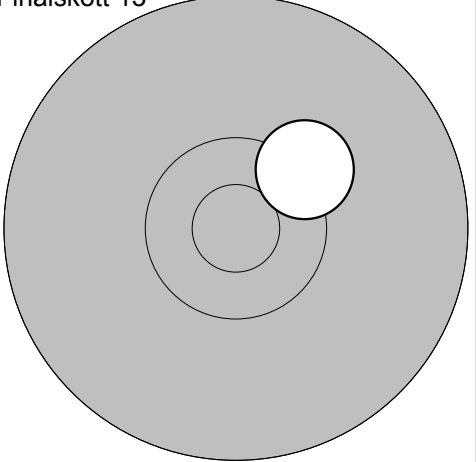
<p>10 Finals-kott</p> 	<p>Finals-kott 11</p> 
<p>6: 8,1 ↗</p> <p>7: 9,5 →</p> <p>8: 9,2 ↑</p> <p>9: 10,5* →</p> <p>10: 10,6* ↓</p>	<p>1: 8,4 ←</p>
Serie 46,0	Serie 8,0
Totalt 266,0	Totalt 274,0

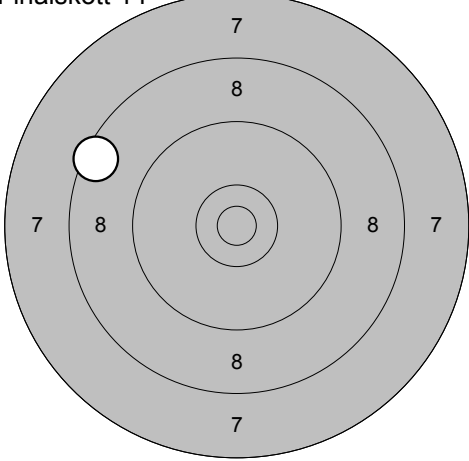
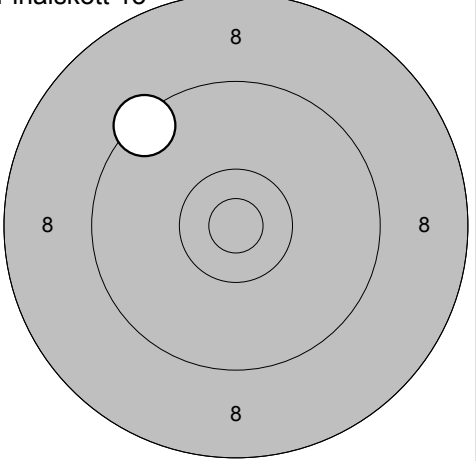
<p>Finals-kott 12</p> 	<p>Finals-kott 13</p> 
<p>1: 8,6 ↑</p>	<p>1: 10,3 ←</p>
Serie 8,0	Serie 10,0
Totalt 282,0	Totalt 292,0

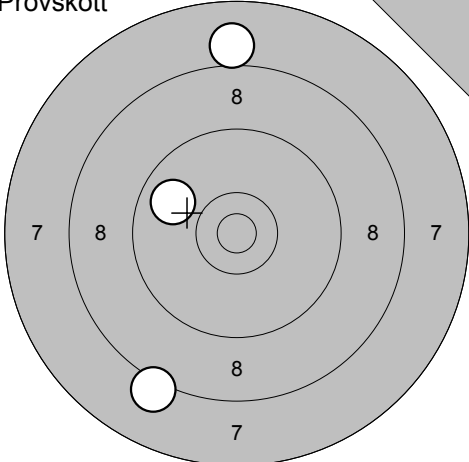
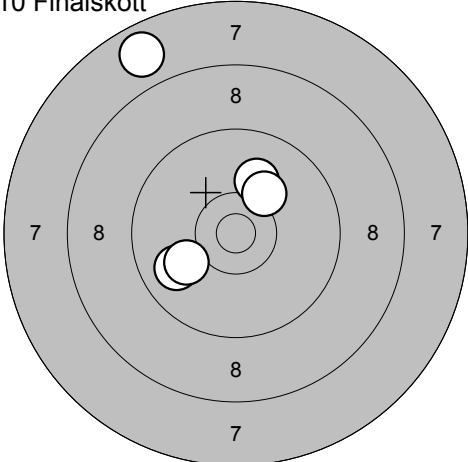
<p>Finals-kott 14</p> 	<p>Finals-kott 15</p> 
<p>1: 9,8 ←</p>	<p>1: 9,8 →</p>
Serie 9,0	Serie 9,0
Totalt 301,0	Totalt 310,0

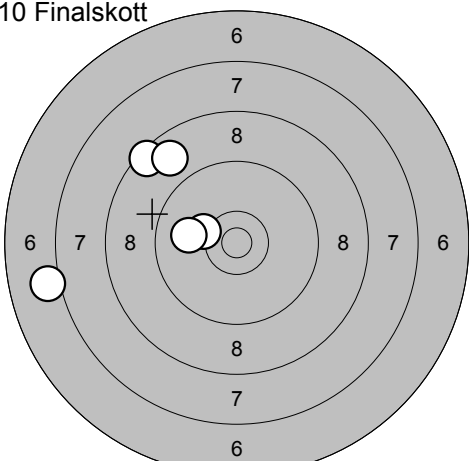
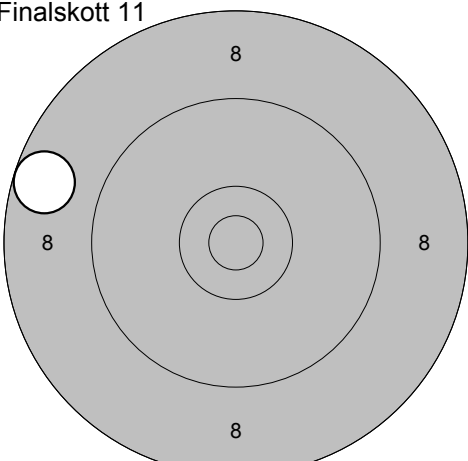
<p>Provs-kott</p> 	<p>1: 9,4 ↘ 2: 10,5* ← 3: 9,5 ↗ 4: 8,1 ← 5: 9,2 ↑ 6: 8,8 ↓ 7: 10,1 ↗ 8: 9,4 ← 9: 8,6 ↓ 10: 9,0 ↘</p> <table border="1" style="width:100%; border-collapse: collapse;"> <tr><td>Serie</td><td style="text-align: right;">89,0</td></tr> <tr><td>Totalt</td><td style="text-align: right;">177,0</td></tr> </table>	Serie	89,0	Totalt	177,0	<p>10 Finals-kott</p> 	<p>1: 10,2 ↘ 2: 7,2 ↓ 3: 10,2 ← 4: 9,7 ↗ 5: 9,7 ↑</p> <table border="1" style="width:100%; border-collapse: collapse;"> <tr><td>Serie</td><td style="text-align: right;">45,0</td></tr> <tr><td>Totalt</td><td style="text-align: right;">222,0</td></tr> </table>	Serie	45,0	Totalt	222,0
Serie	89,0										
Totalt	177,0										
Serie	45,0										
Totalt	222,0										

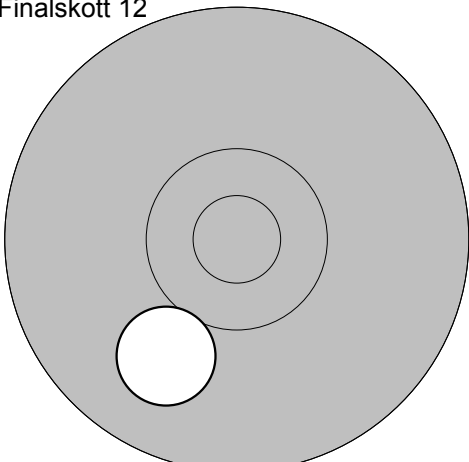
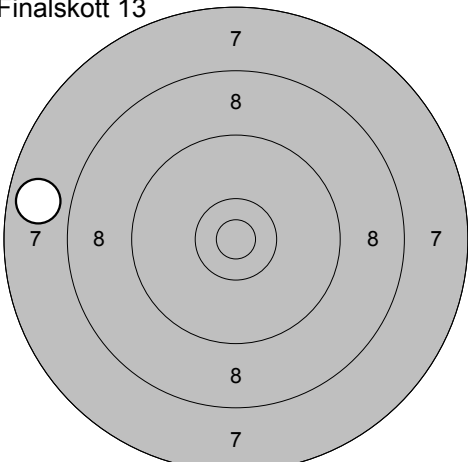
<p>10 Finals-kott</p> 	<p>6: 9,4 ↓ 7: 9,2 ↓ 8: 10,3* ↘ 9: 10,0 ← 10: 8,5 ↘</p> <table border="1" style="width:100%; border-collapse: collapse;"> <tr><td>Serie</td><td style="text-align: right;">46,0</td></tr> <tr><td>Totalt</td><td style="text-align: right;">268,0</td></tr> </table>	Serie	46,0	Totalt	268,0	<p>Finals-kott 11</p> 	<p>1: 10,3 ↘</p> <table border="1" style="width:100%; border-collapse: collapse;"> <tr><td>Serie</td><td style="text-align: right;">10,0</td></tr> <tr><td>Totalt</td><td style="text-align: right;">278,0</td></tr> </table>	Serie	10,0	Totalt	278,0
Serie	46,0										
Totalt	268,0										
Serie	10,0										
Totalt	278,0										

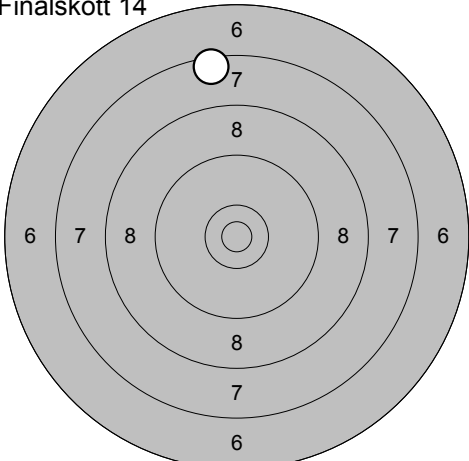
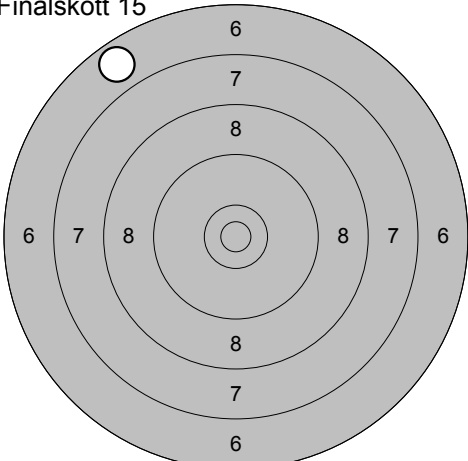
<p>Finals-kott 12</p> 	<p>1: 8,3 ↙</p> <table border="1" style="width:100%; border-collapse: collapse;"> <tr><td>Serie</td><td style="text-align: right;">8,0</td></tr> <tr><td>Totalt</td><td style="text-align: right;">286,0</td></tr> </table>	Serie	8,0	Totalt	286,0	<p>Finals-kott 13</p> 	<p>1: 10,3* ↗</p> <table border="1" style="width:100%; border-collapse: collapse;"> <tr><td>Serie</td><td style="text-align: right;">10,0</td></tr> <tr><td>Totalt</td><td style="text-align: right;">296,0</td></tr> </table>	Serie	10,0	Totalt	296,0
Serie	8,0										
Totalt	286,0										
Serie	10,0										
Totalt	296,0										

<p>Finals-kott 14</p> 	<p>1: 8,5 ↙</p> <table border="1" style="width:100%; border-collapse: collapse;"> <tr><td>Serie</td><td style="text-align: right;">8,0</td></tr> <tr><td>Totalt</td><td style="text-align: right;">304,0</td></tr> </table>	Serie	8,0	Totalt	304,0	<p>Finals-kott 15</p> 	<p>1: 9,4 ↖</p> <table border="1" style="width:100%; border-collapse: collapse;"> <tr><td>Serie</td><td style="text-align: right;">9,0</td></tr> <tr><td>Totalt</td><td style="text-align: right;">313,0</td></tr> </table>	Serie	9,0	Totalt	313,0
Serie	8,0										
Totalt	304,0										
Serie	9,0										
Totalt	313,0										

<p>Provs-kott</p> 	<p>1: 8,2 ↘ 2: 8,0 ↑ 3: 9,8 ↙</p> <table border="1" style="width:100%; border-collapse: collapse;"> <tr><td>Serie</td><td style="text-align: right;">25,0</td></tr> <tr><td>Totalt</td><td style="text-align: right;">167,0</td></tr> </table>	Serie	25,0	Totalt	167,0	<p>10 Finals-kott</p> 	<p>1: 10,1 ↗ 2: 10,2 ↗ 3: 7,8 ↖ 4: 9,9 ↙ 5: 10,0 ↙</p> <table border="1" style="width:100%; border-collapse: collapse;"> <tr><td>Serie</td><td style="text-align: right;">46,0</td></tr> <tr><td>Totalt</td><td style="text-align: right;">213,0</td></tr> </table>	Serie	46,0	Totalt	213,0
Serie	25,0										
Totalt	167,0										
Serie	46,0										
Totalt	213,0										

<p>10 Finals-kott</p> 	<p>6: 7,1 ← 7: 10,3 ↖ 8: 8,5 ↗ 9: 10,0 ← 10: 8,8 ↗</p> <table border="1" style="width:100%; border-collapse: collapse;"> <tr><td>Serie</td><td style="text-align: right;">43,0</td></tr> <tr><td>Totalt</td><td style="text-align: right;">256,0</td></tr> </table>	Serie	43,0	Totalt	256,0	<p>Finals-kott 11</p> 	<p>1: 8,7 ←</p> <table border="1" style="width:100%; border-collapse: collapse;"> <tr><td>Serie</td><td style="text-align: right;">8,0</td></tr> <tr><td>Totalt</td><td style="text-align: right;">264,0</td></tr> </table>	Serie	8,0	Totalt	264,0
Serie	43,0										
Totalt	256,0										
Serie	8,0										
Totalt	264,0										

<p>Finals-kott 12</p> 	<p>1: 10,0 ↘</p> <table border="1" style="width:100%; border-collapse: collapse;"> <tr><td>Serie</td><td style="text-align: right;">10,0</td></tr> <tr><td>Totalt</td><td style="text-align: right;">274,0</td></tr> </table>	Serie	10,0	Totalt	274,0	<p>Finals-kott 13</p> 	<p>1: 7,8 ←</p> <table border="1" style="width:100%; border-collapse: collapse;"> <tr><td>Serie</td><td style="text-align: right;">7,0</td></tr> <tr><td>Totalt</td><td style="text-align: right;">281,0</td></tr> </table>	Serie	7,0	Totalt	281,0
Serie	10,0										
Totalt	274,0										
Serie	7,0										
Totalt	281,0										

<p>Finals-kott 14</p> 	<p>1: 7,5 ↑</p> <table border="1" style="width:100%; border-collapse: collapse;"> <tr><td>Serie</td><td style="text-align: right;">7,0</td></tr> <tr><td>Totalt</td><td style="text-align: right;">288,0</td></tr> </table>	Serie	7,0	Totalt	288,0	<p>Finals-kott 15</p> 	<p>1: 6,8 ↖</p> <table border="1" style="width:100%; border-collapse: collapse;"> <tr><td>Serie</td><td style="text-align: right;">6,0</td></tr> <tr><td>Totalt</td><td style="text-align: right;">294,0</td></tr> </table>	Serie	6,0	Totalt	294,0
Serie	7,0										
Totalt	288,0										
Serie	6,0										
Totalt	294,0										