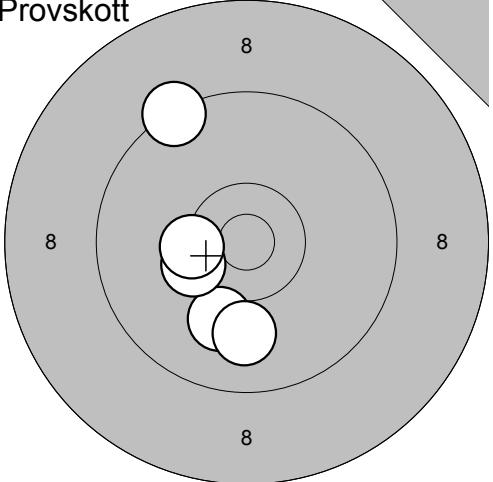
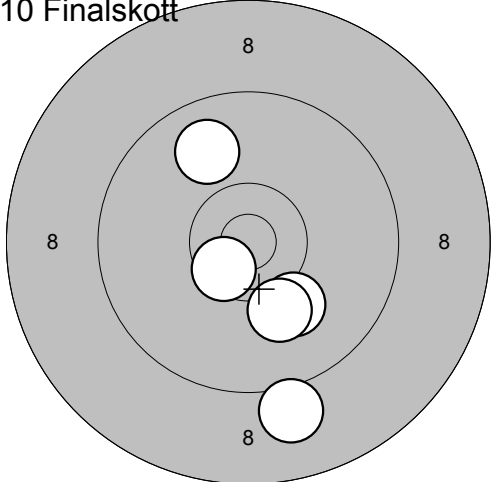
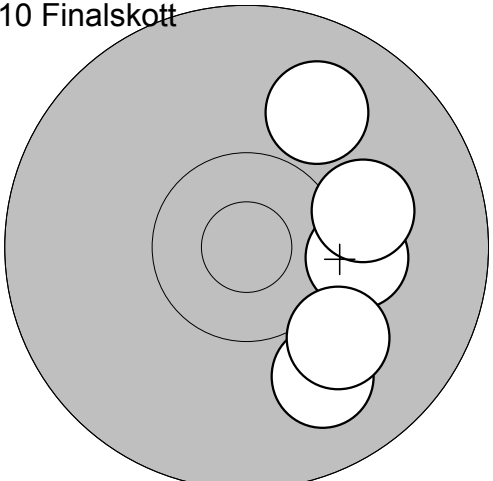
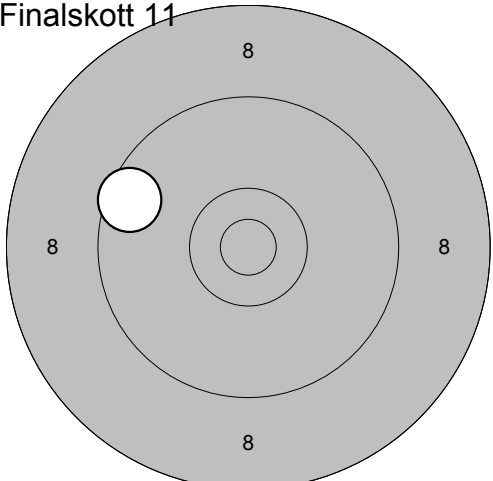
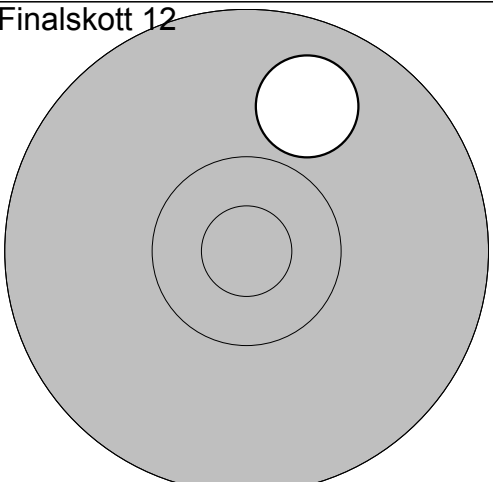
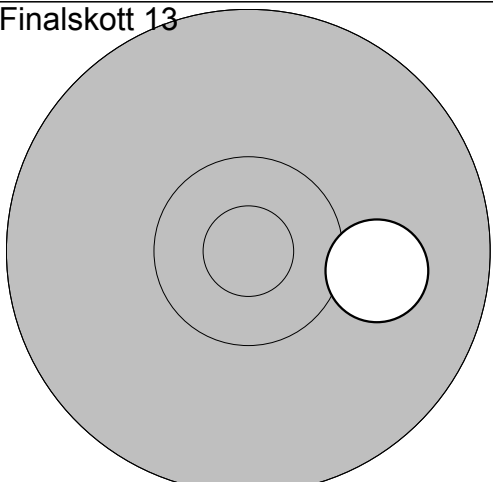
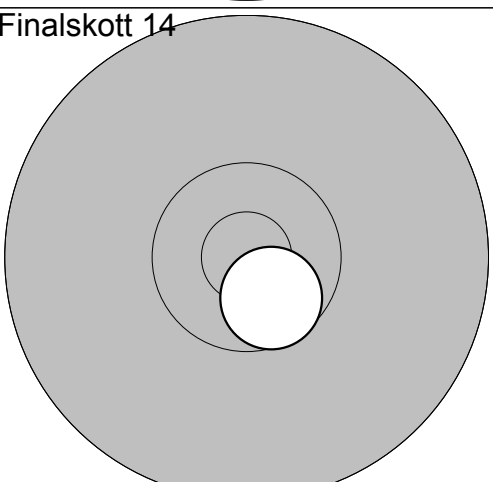
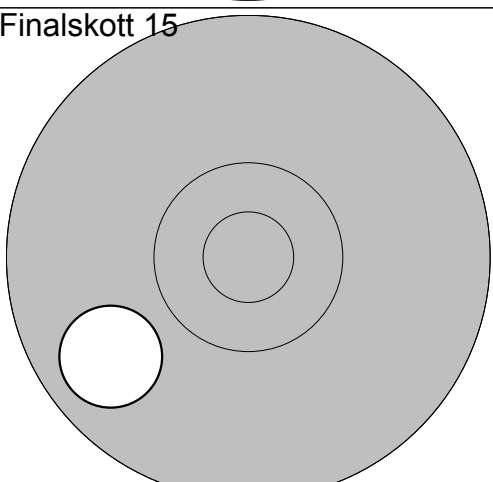
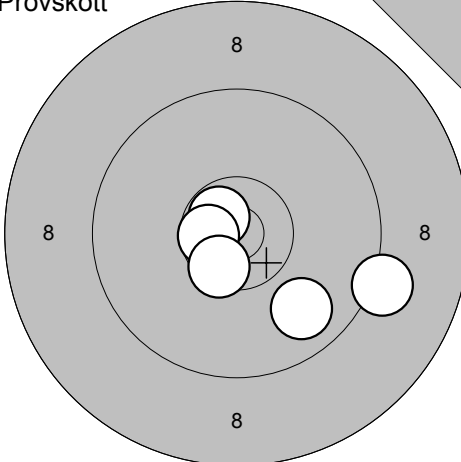
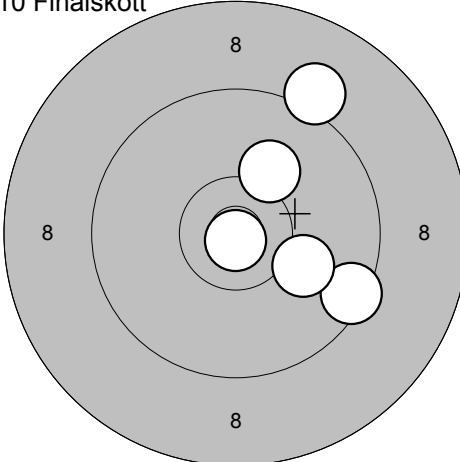


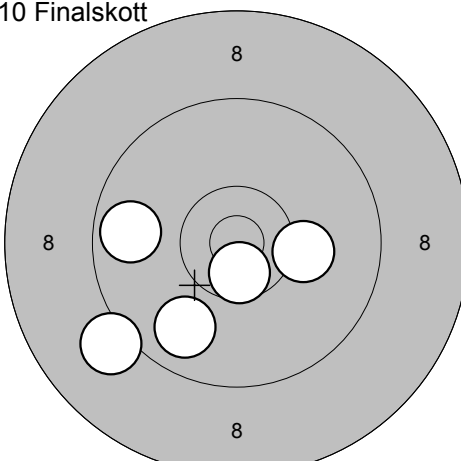
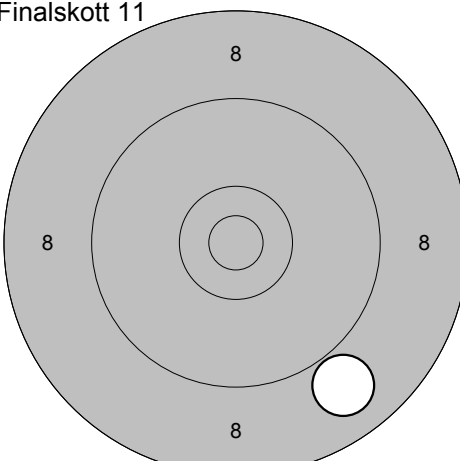
Provskott 	1: 9,3 ↗ 2: 10,1 ↓ 3: 9,9 ↓ 4: 10,3* ← 5: 10,4* ←	10 Finals-kott 	1: 9,9 ↗ 2: 10,1 ↓ 3: 10,1 ↓ 4: 9,0 ↓ 5: 10,5* ↘
Serie 48,0 Totalt 192,0		Serie 48,0 Totalt 240,0	

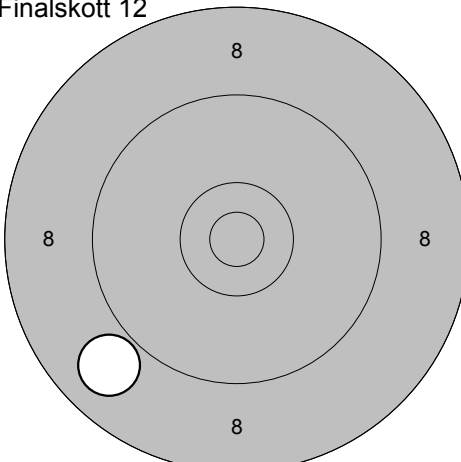
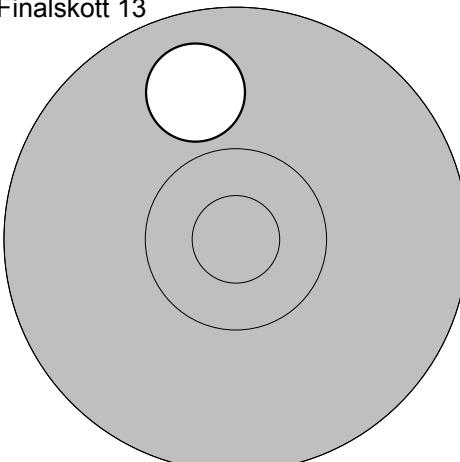
10 Finals-kott 	6: 10,2 → 7: 9,9 ↓ 8: 10,1 ↓ 9: 10,1 → 10: 9,9 ↗	Finalskott 11 	1: 9,6 ←
Serie 48,0 Totalt 288,0		Serie 9,0 Totalt 297,0	

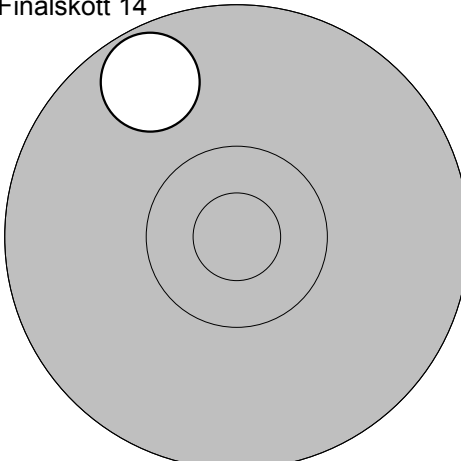
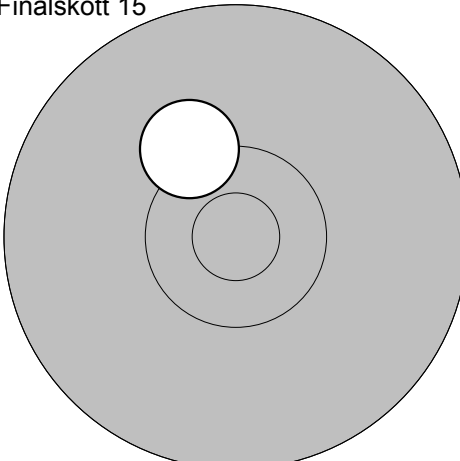
Finalskott 12 	1: 9,9 ↗	Finalskott 13 	1: 10,1 →
Serie 9,0 Totalt 306,0		Serie 10,0 Totalt 316,0	

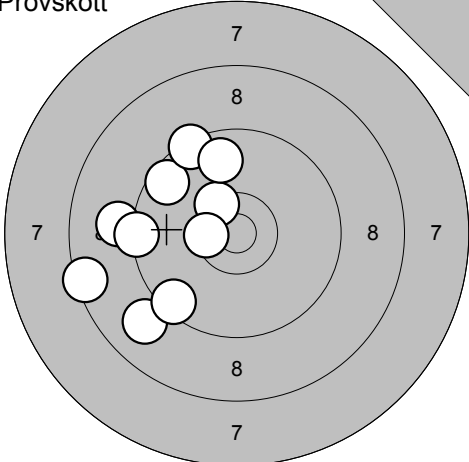
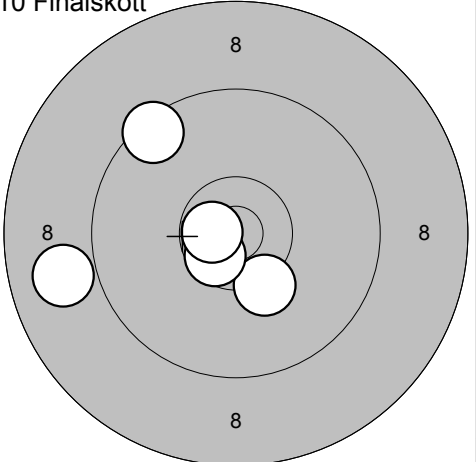
Finalskott 14 	1: 10,6* ↓	Finalskott 15 	1: 9,8 ↙
Serie 10,0 Totalt 326,0		Serie 9,0 Totalt 335,0	

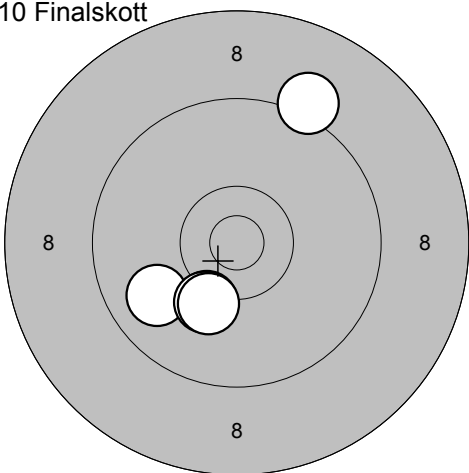
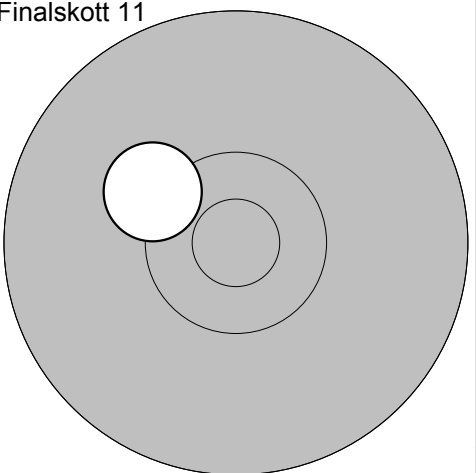
<p>Provskott</p> 	<p>1: 10,7* ↗ 2: 9,2 → 3: 10,6* ← 4: 9,8 ↓ 5: 10,5* ↓</p> <table border="1" style="width:100%; border-collapse: collapse;"> <tr><td>Serie</td><td style="text-align: right;">48,0</td></tr> <tr><td>Totalt</td><td style="text-align: right;">190,0</td></tr> </table>	Serie	48,0	Totalt	190,0	<p>10 Finals-kott</p> 	<p>1: 9,1 ↗ 2: 9,5 → 3: 10,9* ↓ 4: 10,1 → 5: 10,1 ↗</p> <table border="1" style="width:100%; border-collapse: collapse;"> <tr><td>Serie</td><td style="text-align: right;">48,0</td></tr> <tr><td>Totalt</td><td style="text-align: right;">238,0</td></tr> </table>	Serie	48,0	Totalt	238,0
Serie	48,0										
Totalt	190,0										
Serie	48,0										
Totalt	238,0										

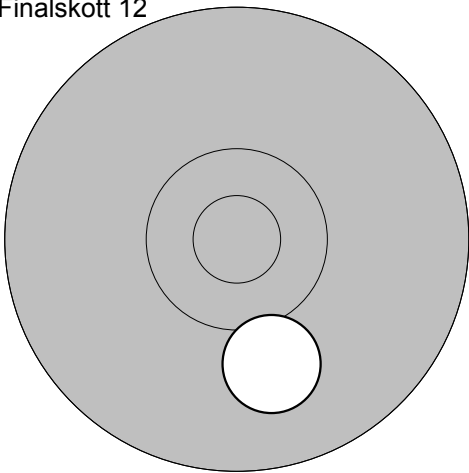
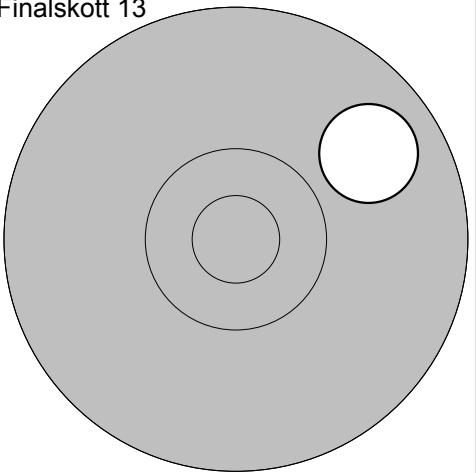
<p>10 Finals-kott</p> 	<p>6: 10,6* ↓ 7: 9,7 ← 8: 9,8 ↓ 9: 10,2 → 10: 9,1 ←</p> <table border="1" style="width:100%; border-collapse: collapse;"> <tr><td>Serie</td><td style="text-align: right;">47,0</td></tr> <tr><td>Totalt</td><td style="text-align: right;">285,0</td></tr> </table>	Serie	47,0	Totalt	285,0	<p>Finals-kott 11</p> 	<p>1: 8,9 ↓</p> <table border="1" style="width:100%; border-collapse: collapse;"> <tr><td>Serie</td><td style="text-align: right;">8,0</td></tr> <tr><td>Totalt</td><td style="text-align: right;">293,0</td></tr> </table>	Serie	8,0	Totalt	293,0
Serie	47,0										
Totalt	285,0										
Serie	8,0										
Totalt	293,0										

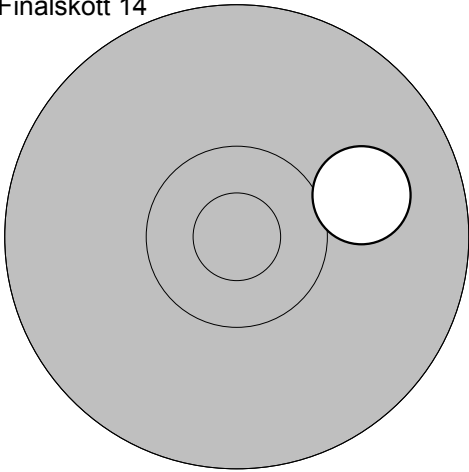
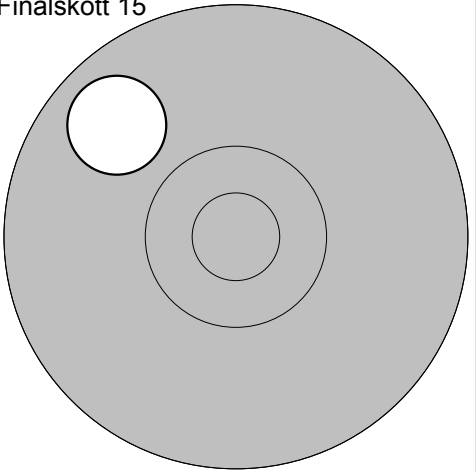
<p>Finals-kott 12</p> 	<p>1: 8,9 ↙</p> <table border="1" style="width:100%; border-collapse: collapse;"> <tr><td>Serie</td><td style="text-align: right;">8,0</td></tr> <tr><td>Totalt</td><td style="text-align: right;">301,0</td></tr> </table>	Serie	8,0	Totalt	301,0	<p>Finals-kott 13</p> 	<p>1: 9,9 ↗</p> <table border="1" style="width:100%; border-collapse: collapse;"> <tr><td>Serie</td><td style="text-align: right;">9,0</td></tr> <tr><td>Totalt</td><td style="text-align: right;">310,0</td></tr> </table>	Serie	9,0	Totalt	310,0
Serie	8,0										
Totalt	301,0										
Serie	9,0										
Totalt	310,0										

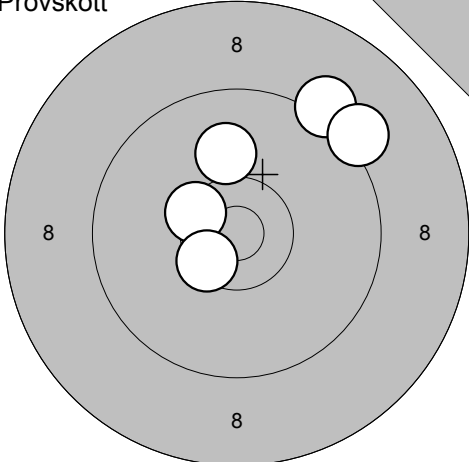
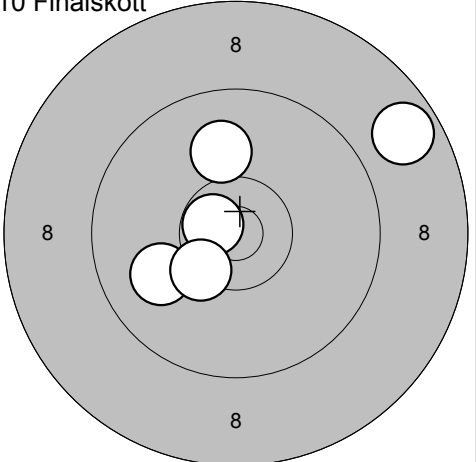
<p>Finals-kott 14</p> 	<p>1: 9,7 ↗</p> <table border="1" style="width:100%; border-collapse: collapse;"> <tr><td>Serie</td><td style="text-align: right;">9,0</td></tr> <tr><td>Totalt</td><td style="text-align: right;">319,0</td></tr> </table>	Serie	9,0	Totalt	319,0	<p>Finals-kott 15</p> 	<p>1: 10,2 ↗</p> <table border="1" style="width:100%; border-collapse: collapse;"> <tr><td>Serie</td><td style="text-align: right;">10,0</td></tr> <tr><td>Totalt</td><td style="text-align: right;">329,0</td></tr> </table>	Serie	10,0	Totalt	329,0
Serie	9,0										
Totalt	319,0										
Serie	10,0										
Totalt	329,0										

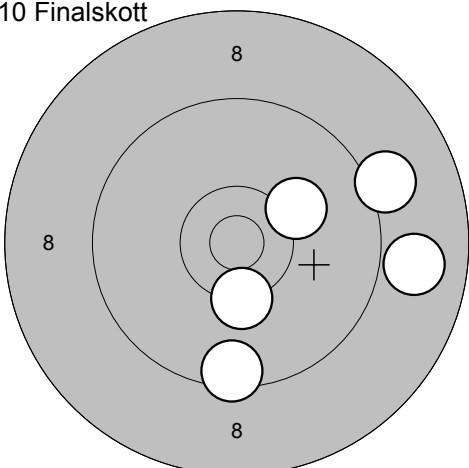
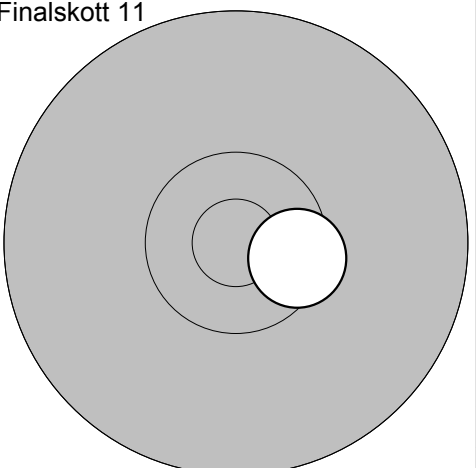
Provskott 	1: 8,9 ↙ 2: 9,6 ↗ 3: 8,5 ← 4: 10,4* ↗ 5: 9,5 ↘ 6: 9,4 ↗ 7: 9,8 ↑ 8: 9,1 ← 9: 9,4 ← 10: 10,5* ← <hr/> Serie 90,0 Totalt 190,0	10 Finals-kott 	1: 10,3 ↘ 2: 8,9 ← 3: 9,5 ↗ 4: 10,6* ↘ 5: 10,7* ← <hr/> Serie 47,0 Totalt 237,0
--	---	---	---

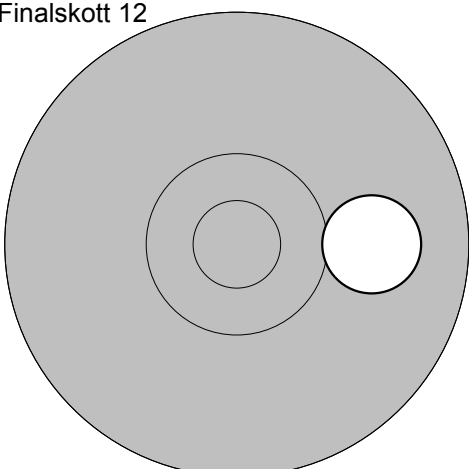
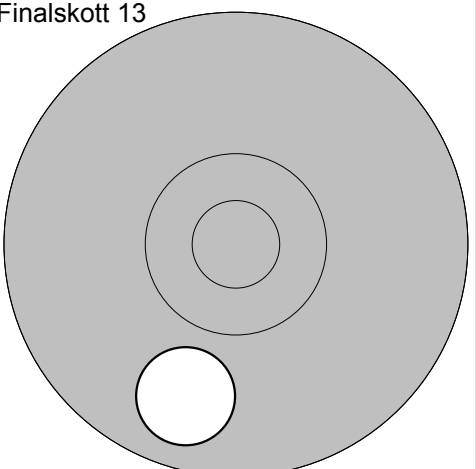
10 Finals-kott 	6: 10,2 ✓ 7: 9,2 ↗ 8: 9,9 ← 9: 10,2 ✓ 10: 10,2 ✓ <hr/> Serie 48,0 Totalt 285,0	Finalskott 11 	1: 10,3 ↗ <hr/> Serie 10,0 Totalt 295,0
--	--	---	---

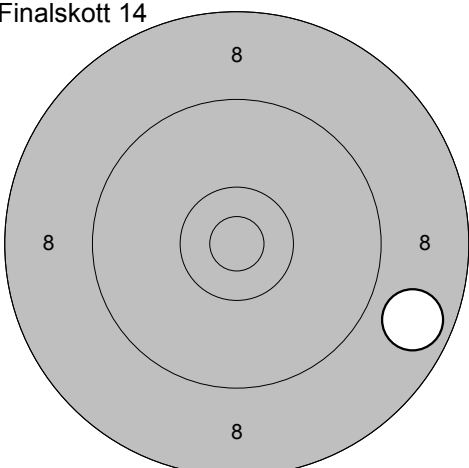
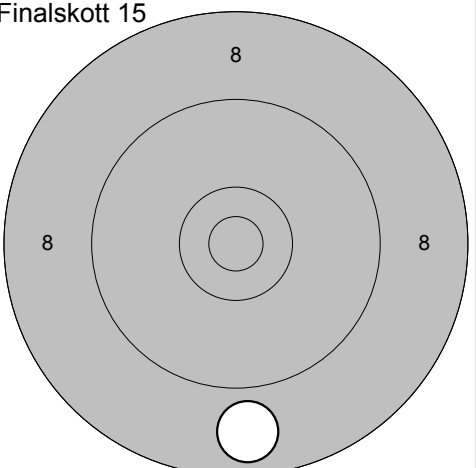
Finalskott 12 	1: 10,0 ↘ <hr/> Serie 10,0 Totalt 305,0	Finalskott 13 	1: 9,8 ↗ <hr/> Serie 9,0 Totalt 314,0
--	---	--	---

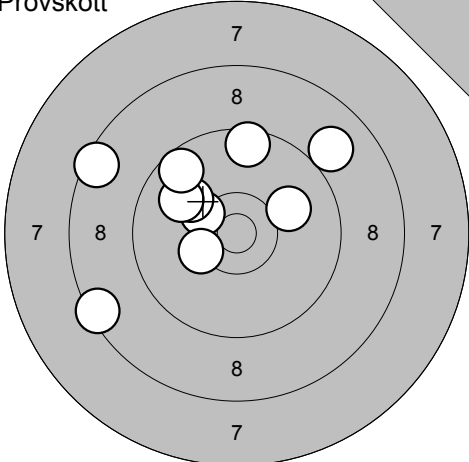
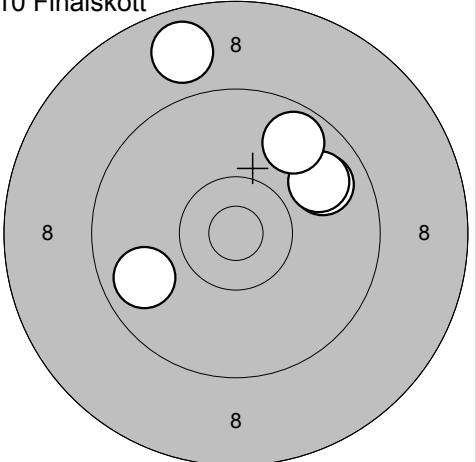
Finalskott 14 	1: 10,0 → <hr/> Serie 10,0 Totalt 324,0	Finalskott 15 	1: 9,8 ↗ <hr/> Serie 9,0 Totalt 333,0
--	---	--	---

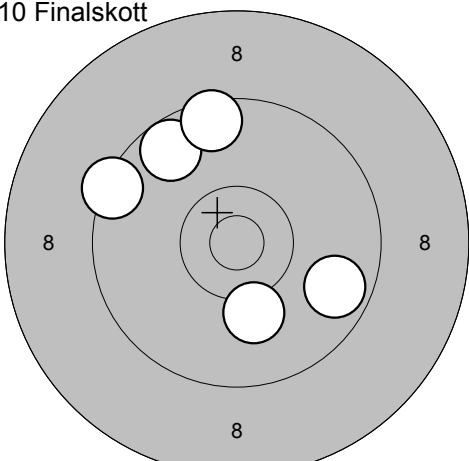
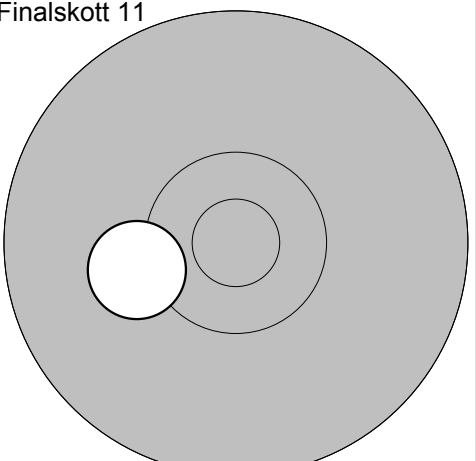
<p>Provs-kott</p> 	<p>1: 10,0 ↑ 2: 10,4* ↙ 3: 9,2 ↗ 4: 9,2 ↗ 5: 10,5* ↙</p>	<p>10 Finalskott</p> 	<p>1: 10,0 ↙ 2: 10,7* ↙ 3: 8,7 ↗ 4: 10,0 ↑ 5: 10,4* ↙</p>
Serie 48,0		Serie 48,0	
Totalt 190,0		Totalt 238,0	

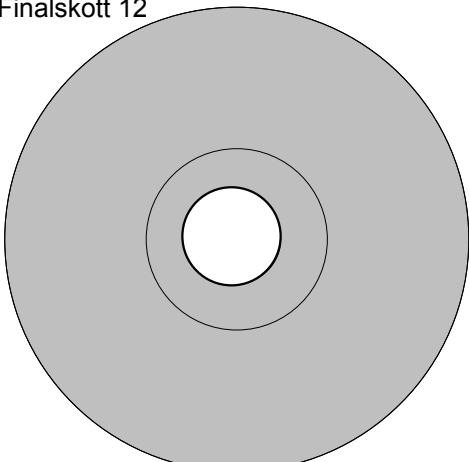
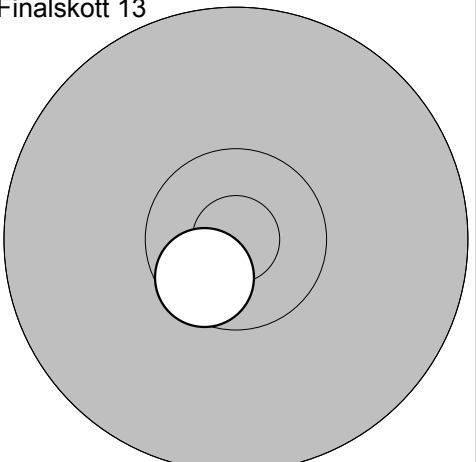
<p>10 Finalskott</p> 	<p>6: 9,1 → 7: 10,3* ↓ 8: 10,2 ↗ 9: 9,5 ↓ 10: 8,9 →</p>	<p>Finalskott 11</p> 	<p>1: 10,5* →</p>
Serie 46,0		Serie 10,0	
Totalt 284,0		Totalt 294,0	

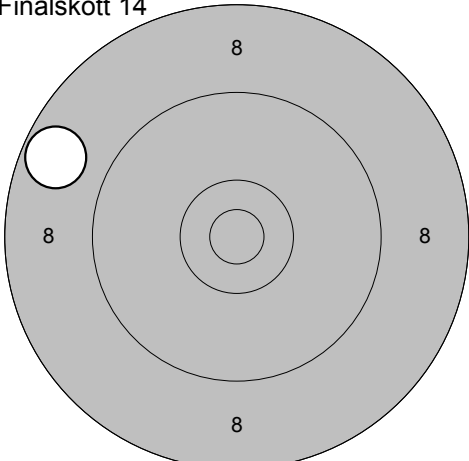
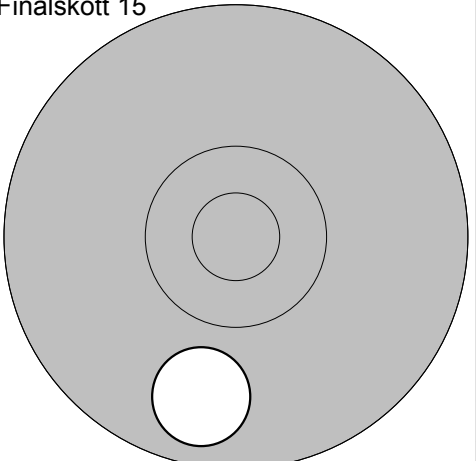
<p>Finalskott 12</p> 	<p>1: 10,0 →</p>	<p>Finalskott 13</p> 	<p>1: 9,8 ↓</p>
Serie 10,0		Serie 9,0	
Totalt 304,0		Totalt 313,0	

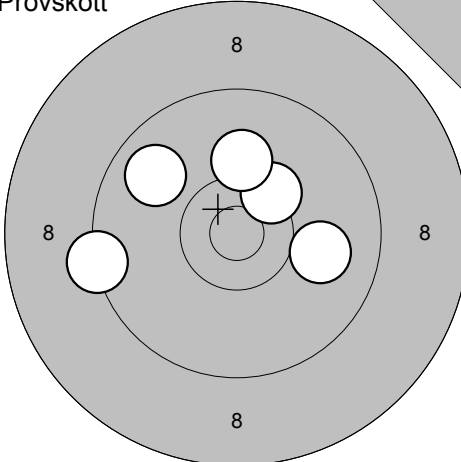
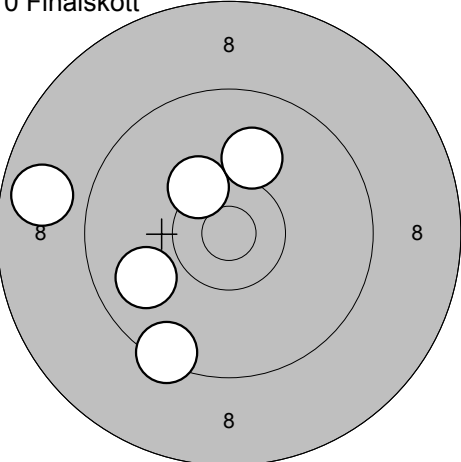
<p>Finalskott 14</p> 	<p>1: 8,8 →</p>	<p>Finalskott 15</p> 	<p>1: 8,8 ↓</p>
Serie 8,0		Serie 8,0	
Totalt 321,0		Totalt 329,0	

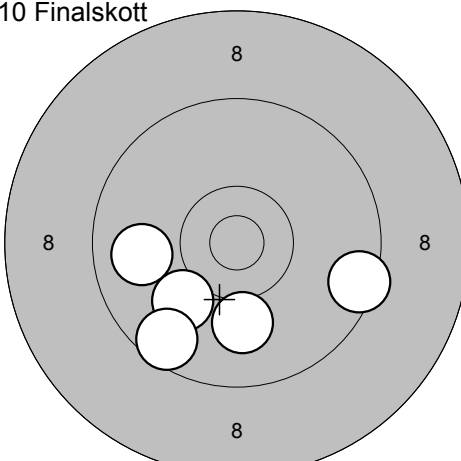
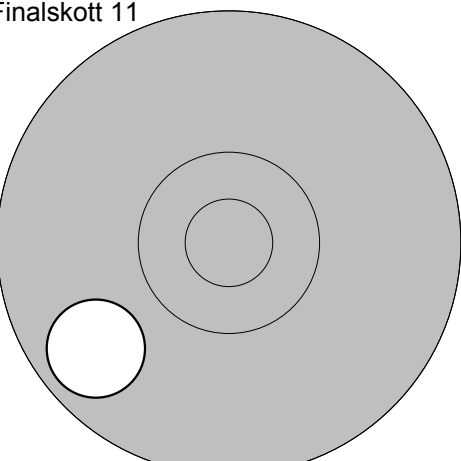
<p>Provs-kott</p> 	<p>1: 10,3* ↖ 2: 8,4 ↙ 3: 9,5 ↑ 4: 10,1 ↗ 5: 8,5 ↖ 6: 10,3* ↙ 7: 9,9 ↖ 8: 9,0 ↗ 9: 9,6 ↗ 10: 10,0 →</p> <table border="1" style="width:100%; border-collapse: collapse;"> <tr><td>Serie</td><td style="text-align: right;">92,0</td></tr> <tr><td>Totalt</td><td style="text-align: right;">189,0</td></tr> </table>	Serie	92,0	Totalt	189,0	<p>10 Finalskott</p> 	<p>1: 9,8 ↗ 2: 9,8 ↗ 3: 9,7 ↗ 4: 8,8 ↑ 5: 9,8 ↙</p> <table border="1" style="width:100%; border-collapse: collapse;"> <tr><td>Serie</td><td style="text-align: right;">44,0</td></tr> <tr><td>Totalt</td><td style="text-align: right;">233,0</td></tr> </table>	Serie	44,0	Totalt	233,0
Serie	92,0										
Totalt	189,0										
Serie	44,0										
Totalt	233,0										

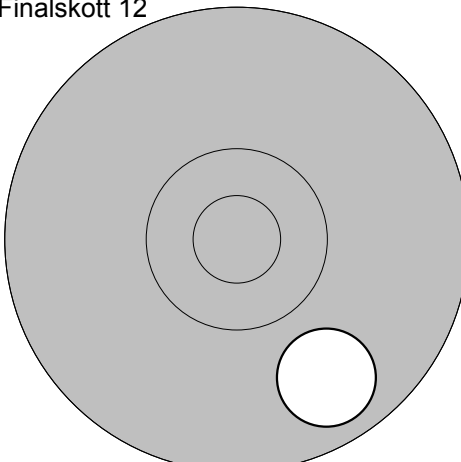
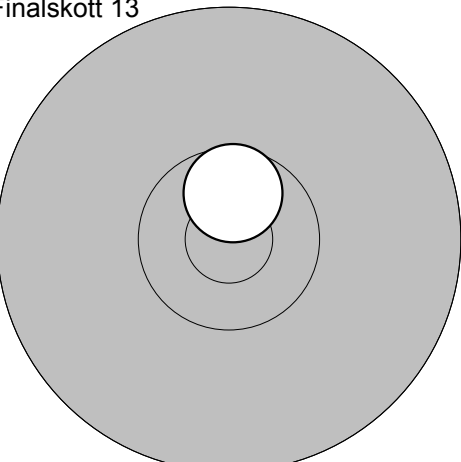
<p>10 Finalskott</p> 	<p>6: 9,7 ↗ 7: 10,1 ↓ 8: 9,5 ↑ 9: 9,7 → 10: 9,4 ↖</p> <table border="1" style="width:100%; border-collapse: collapse;"> <tr><td>Serie</td><td style="text-align: right;">46,0</td></tr> <tr><td>Totalt</td><td style="text-align: right;">279,0</td></tr> </table>	Serie	46,0	Totalt	279,0	<p>Finalskott 11</p> 	<p>1: 10,2 ←</p> <table border="1" style="width:100%; border-collapse: collapse;"> <tr><td>Serie</td><td style="text-align: right;">10,0</td></tr> <tr><td>Totalt</td><td style="text-align: right;">289,0</td></tr> </table>	Serie	10,0	Totalt	289,0
Serie	46,0										
Totalt	279,0										
Serie	10,0										
Totalt	289,0										

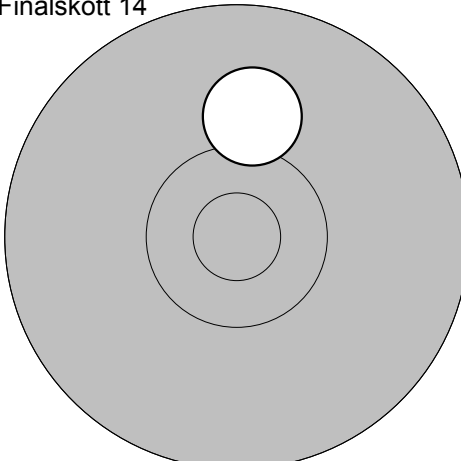
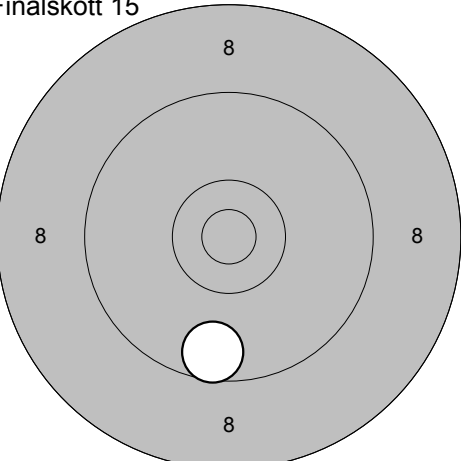
<p>Finalskott 12</p> 	<p>1: 10,9* ↖</p> <table border="1" style="width:100%; border-collapse: collapse;"> <tr><td>Serie</td><td style="text-align: right;">10,0</td></tr> <tr><td>Totalt</td><td style="text-align: right;">299,0</td></tr> </table>	Serie	10,0	Totalt	299,0	<p>Finalskott 13</p> 	<p>1: 10,6* ↙</p> <table border="1" style="width:100%; border-collapse: collapse;"> <tr><td>Serie</td><td style="text-align: right;">10,0</td></tr> <tr><td>Totalt</td><td style="text-align: right;">309,0</td></tr> </table>	Serie	10,0	Totalt	309,0
Serie	10,0										
Totalt	299,0										
Serie	10,0										
Totalt	309,0										

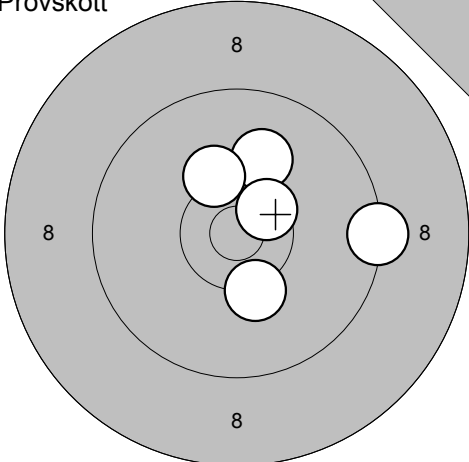
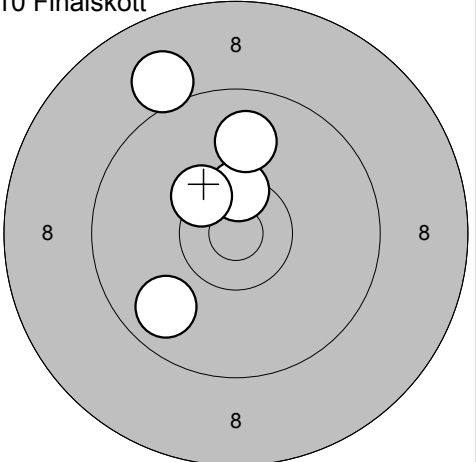
<p>Finalskott 14</p> 	<p>1: 8,7 ↖</p> <table border="1" style="width:100%; border-collapse: collapse;"> <tr><td>Serie</td><td style="text-align: right;">8,0</td></tr> <tr><td>Totalt</td><td style="text-align: right;">317,0</td></tr> </table>	Serie	8,0	Totalt	317,0	<p>Finalskott 15</p> 	<p>1: 9,8 ↓</p> <table border="1" style="width:100%; border-collapse: collapse;"> <tr><td>Serie</td><td style="text-align: right;">9,0</td></tr> <tr><td>Totalt</td><td style="text-align: right;">326,0</td></tr> </table>	Serie	9,0	Totalt	326,0
Serie	8,0										
Totalt	317,0										
Serie	9,0										
Totalt	326,0										

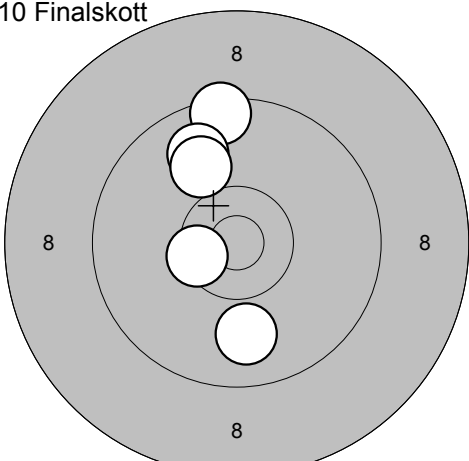
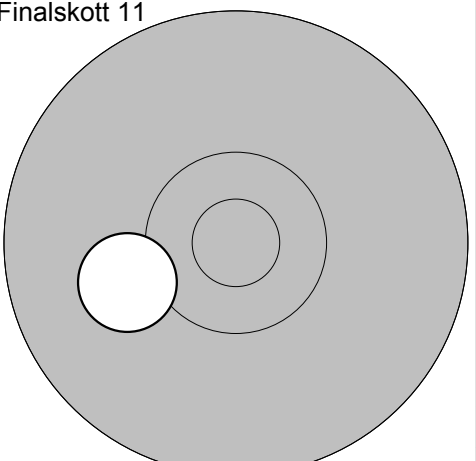
Provs-kott 	1: 9,3 ← 2: 10,0 → 3: 10,3* ↗ 4: 10,1 ↑ 5: 9,8 ↖	10 Finals-kott 	1: 10,3* ↗ 2: 9,4 ↓ 3: 8,8 ← 4: 10,1 ↑ 5: 9,9 ↖
Serie 48,0		Serie 46,0	
Totalt 189,0		Totalt 235,0	

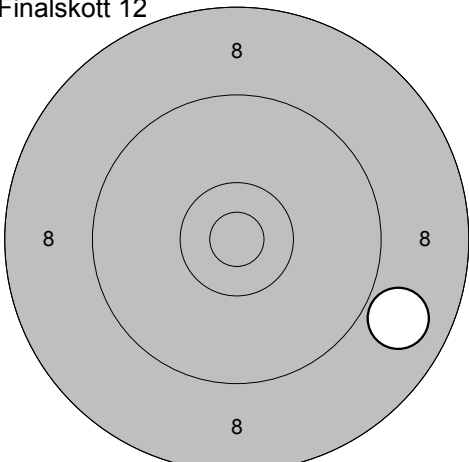
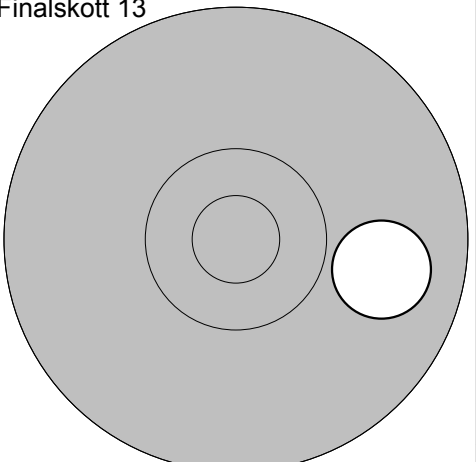
10 Finals-kott 	6: 10,0 ↘ 7: 9,9 ← 8: 9,6 ↘ 9: 9,5 → 10: 10,0 ↓	Finals-kott 11 	1: 9,7 ↖
Serie 47,0		Serie 9,0	
Totalt 282,0		Totalt 291,0	

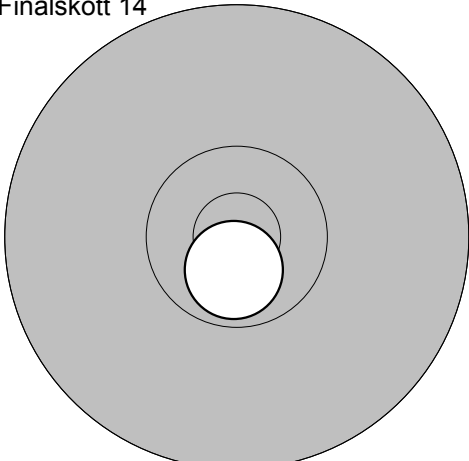
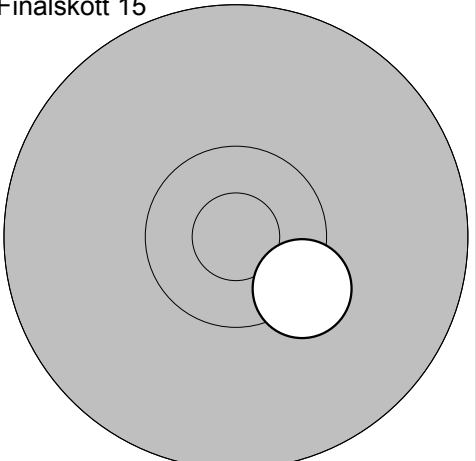
Finals-kott 12 	1: 9,8 ↘	Finals-kott 13 	1: 10,6* ↑
Serie 9,0		Serie 10,0	
Totalt 300,0		Totalt 310,0	

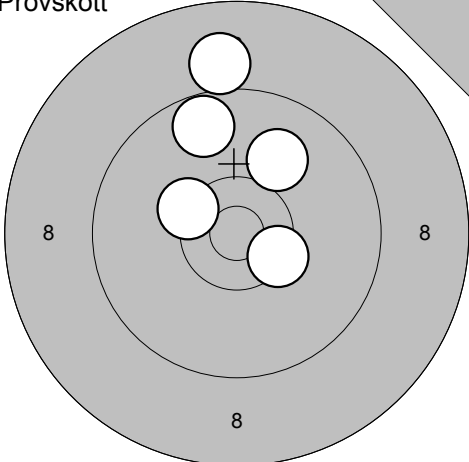
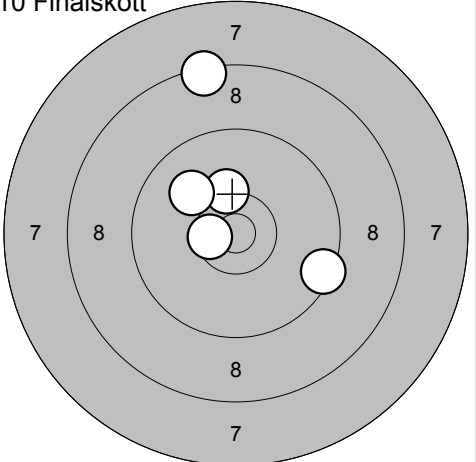
Finals-kott 14 	1: 10,1 ↑	Finals-kott 15 	1: 9,6 ↓
Serie 10,0		Serie 9,0	
Totalt 320,0		Totalt 329,0	

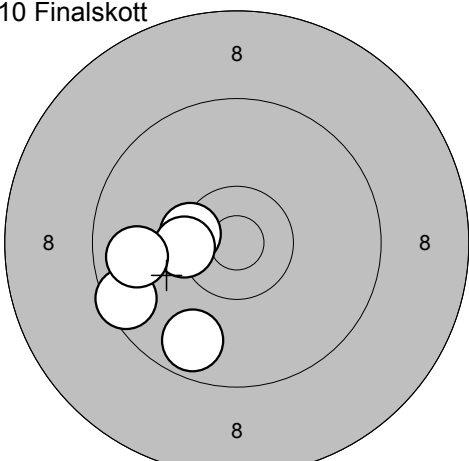
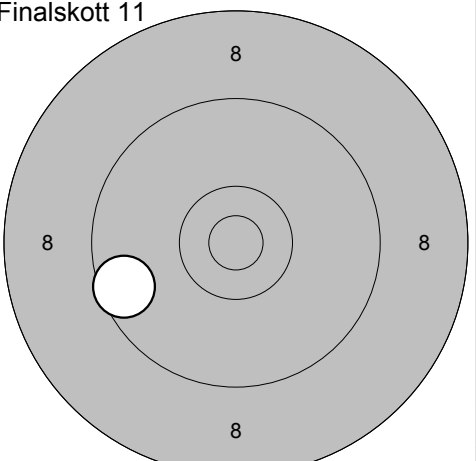
Provs-kott 	1: 9,3 → 2: 10,3 ↓ 3: 10,1 ↑ 4: 10,3 ↑ 5: 10,5* ↗	10 Finalskott 	1: 10,5* ↑ 2: 10,4* ↖ 3: 9,0 ↗ 4: 9,8 ↘ 5: 9,9 ↑
Serie 49,0		Serie 47,0	
Totalt 188,0		Totalt 235,0	

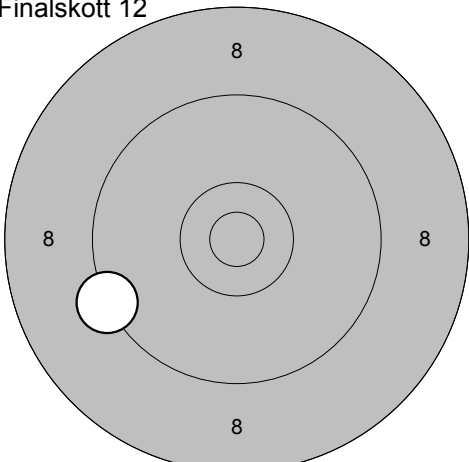
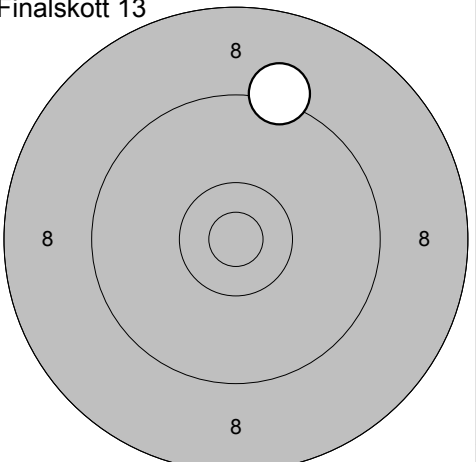
10 Finalskott 	6: 9,9 ↓ 7: 9,5 ↑ 8: 9,9 ↗ 9: 10,0 ↗ 10: 10,5* ←	Finalskott 11 	1: 10,1 ←
Serie 47,0		Serie 10,0	
Totalt 282,0		Totalt 292,0	

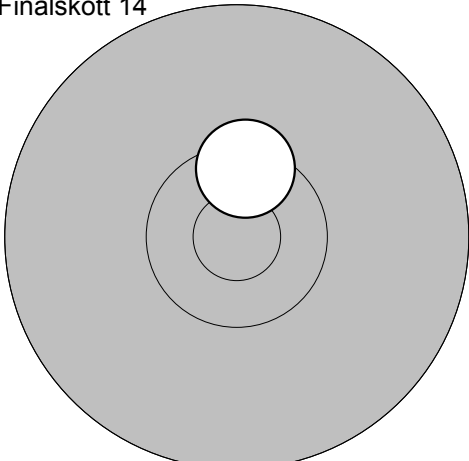
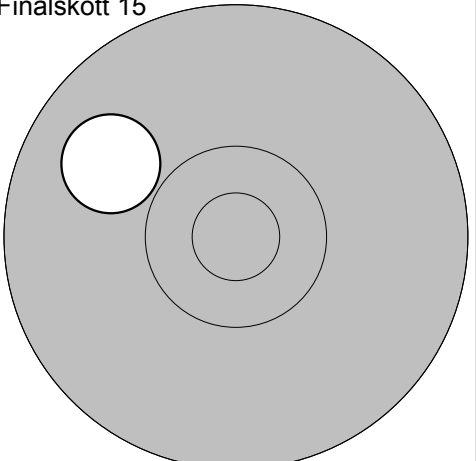
Finalskott 12 	1: 8,9 ↘	Finalskott 13 	1: 9,9 →
Serie 8,0		Serie 9,0	
Totalt 300,0		Totalt 309,0	

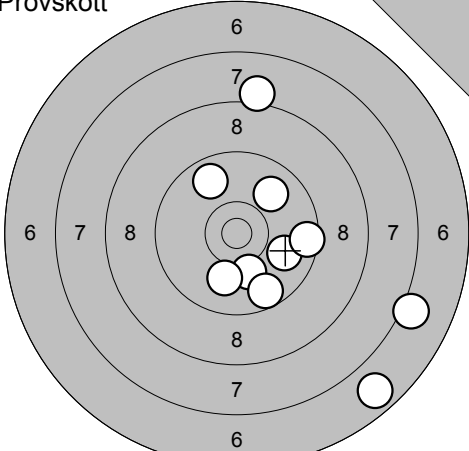
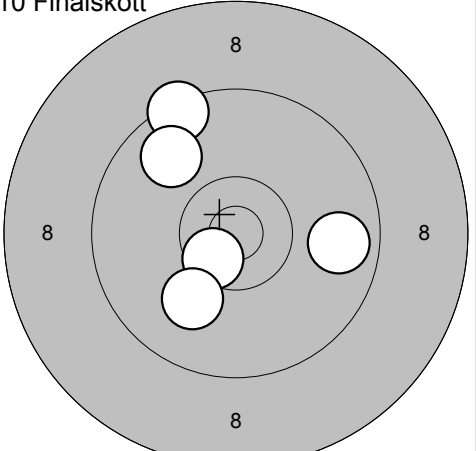
Finalskott 14 	1: 10,7* ↓	Finalskott 15 	1: 10,4* ↘
Serie 10,0		Serie 10,0	
Totalt 319,0		Totalt 329,0	

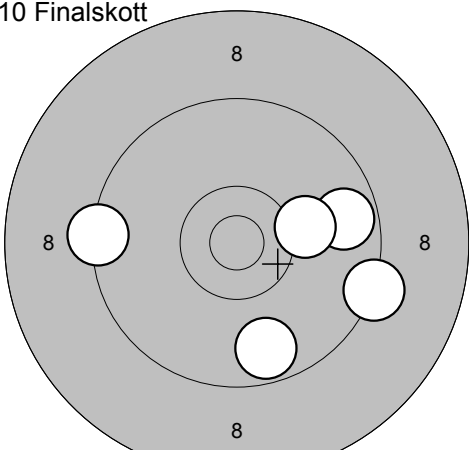
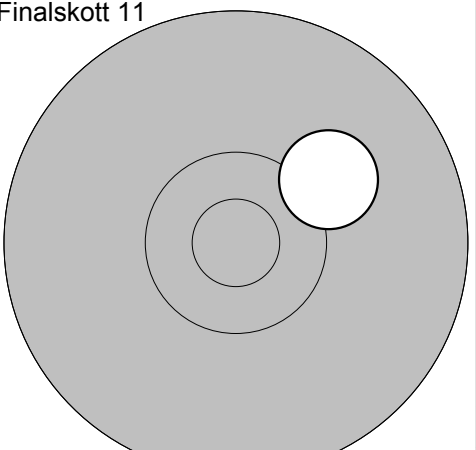
<p>Provs-kott</p> 	<p>1: 9,7 ↑ 2: 10,3* ← 3: 9,0 ↑ 4: 10,4* → 5: 10,0 ↗</p> <table border="1" style="width:100%; border-collapse: collapse;"> <tr><td>Serie</td><td style="text-align: right;">48,0</td></tr> <tr><td>Totalt</td><td style="text-align: right;">186,0</td></tr> </table>	Serie	48,0	Totalt	186,0	<p>10 Finalskott</p> 	<p>1: 8,4 ↑ 2: 10,5* ← 3: 10,3 ↑ 4: 10,0 ↗ 5: 9,4 →</p> <table border="1" style="width:100%; border-collapse: collapse;"> <tr><td>Serie</td><td style="text-align: right;">47,0</td></tr> <tr><td>Totalt</td><td style="text-align: right;">233,0</td></tr> </table>	Serie	47,0	Totalt	233,0
Serie	48,0										
Totalt	186,0										
Serie	47,0										
Totalt	233,0										

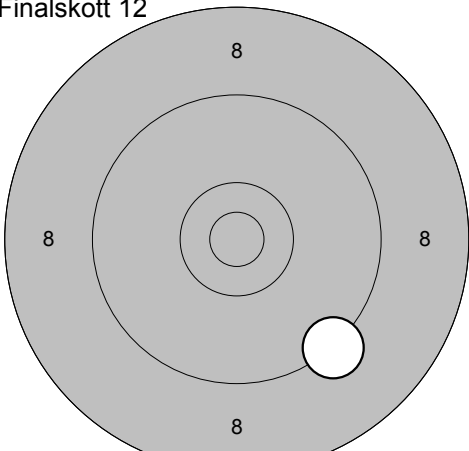
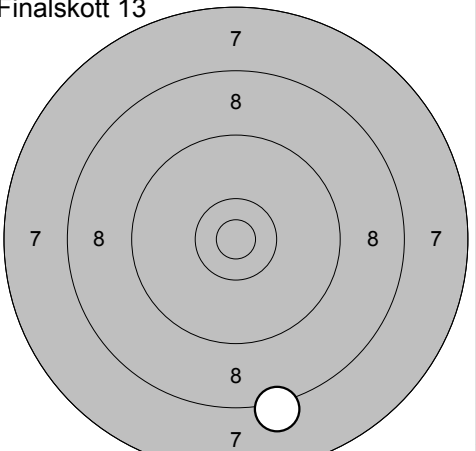
<p>10 Finalskott</p> 	<p>6: 9,7 ↓ 7: 10,4* ← 8: 9,5 ← 9: 10,4* ← 10: 9,8 ←</p> <table border="1" style="width:100%; border-collapse: collapse;"> <tr><td>Serie</td><td style="text-align: right;">47,0</td></tr> <tr><td>Totalt</td><td style="text-align: right;">280,0</td></tr> </table>	Serie	47,0	Totalt	280,0	<p>Finalskott 11</p> 	<p>1: 9,6 ←</p> <table border="1" style="width:100%; border-collapse: collapse;"> <tr><td>Serie</td><td style="text-align: right;">9,0</td></tr> <tr><td>Totalt</td><td style="text-align: right;">289,0</td></tr> </table>	Serie	9,0	Totalt	289,0
Serie	47,0										
Totalt	280,0										
Serie	9,0										
Totalt	289,0										

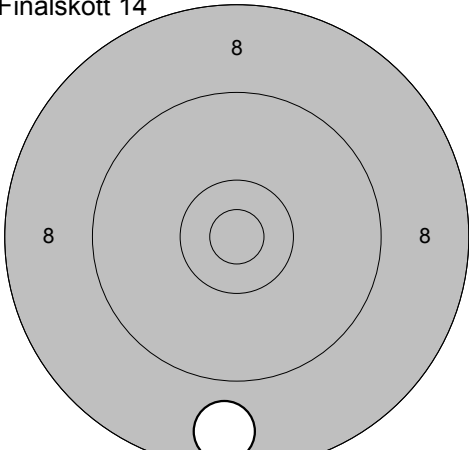
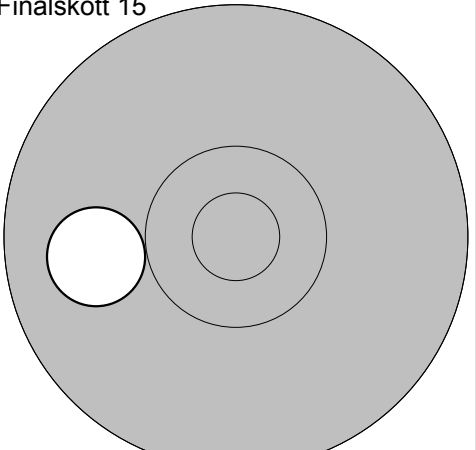
<p>Finalskott 12</p> 	<p>1: 9,3 ↙</p> <table border="1" style="width:100%; border-collapse: collapse;"> <tr><td>Serie</td><td style="text-align: right;">9,0</td></tr> <tr><td>Totalt</td><td style="text-align: right;">298,0</td></tr> </table>	Serie	9,0	Totalt	298,0	<p>Finalskott 13</p> 	<p>1: 9,2 ↑</p> <table border="1" style="width:100%; border-collapse: collapse;"> <tr><td>Serie</td><td style="text-align: right;">9,0</td></tr> <tr><td>Totalt</td><td style="text-align: right;">307,0</td></tr> </table>	Serie	9,0	Totalt	307,0
Serie	9,0										
Totalt	298,0										
Serie	9,0										
Totalt	307,0										

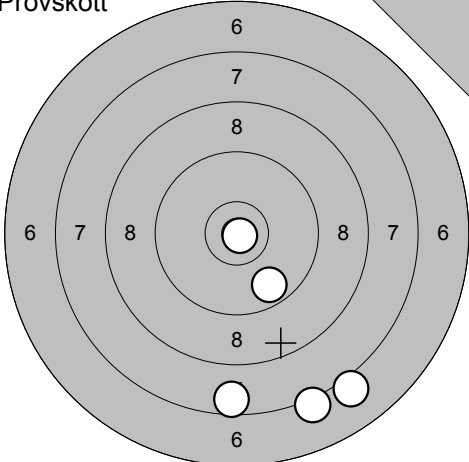
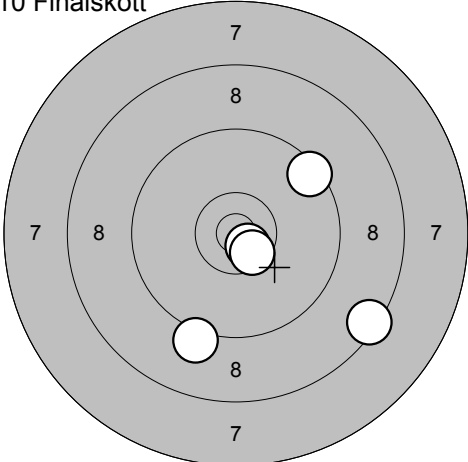
<p>Finalskott 14</p> 	<p>1: 10,5* ↑</p> <table border="1" style="width:100%; border-collapse: collapse;"> <tr><td>Serie</td><td style="text-align: right;">10,0</td></tr> <tr><td>Totalt</td><td style="text-align: right;">317,0</td></tr> </table>	Serie	10,0	Totalt	317,0	<p>Finalskott 15</p> 	<p>1: 9,9 ↖</p> <table border="1" style="width:100%; border-collapse: collapse;"> <tr><td>Serie</td><td style="text-align: right;">9,0</td></tr> <tr><td>Totalt</td><td style="text-align: right;">326,0</td></tr> </table>	Serie	9,0	Totalt	326,0
Serie	10,0										
Totalt	317,0										
Serie	9,0										
Totalt	326,0										

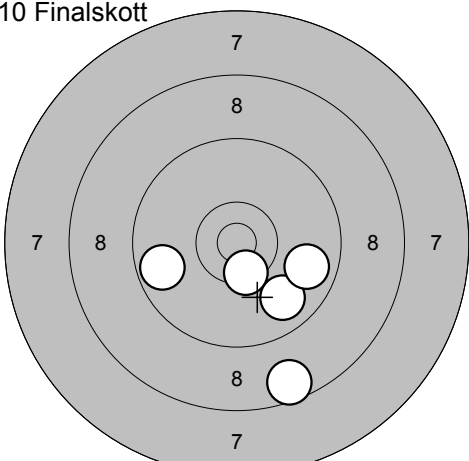
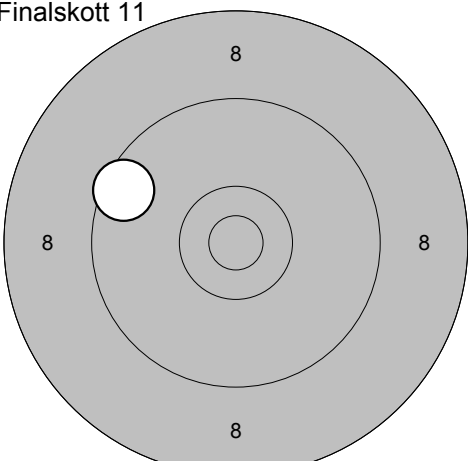
<p>Provs-kott</p> 	<p>1: 8,1 ↗</p> <p>2: 6,7 ↘</p> <p>3: 9,9 ↘</p> <p>4: 9,5 →</p> <p>5: 9,8 ↗</p> <p>6: 9,9 ↗</p> <p>7: 7,1 ↘</p> <p>8: 10,1 ↘</p> <p>9: 10,0 ↘</p> <p>10: 9,7 ↘</p> <hr/> <p>Serie 86,0</p> <p>Totalt 185,0</p>	<p>10 Finals-kott</p> 	<p>1: 10,6* ↙</p> <p>2: 9,4 ↗</p> <p>3: 10,0 ↘</p> <p>4: 9,8 →</p> <p>5: 9,8 ↗</p> <hr/> <p>Serie 47,0</p> <p>Totalt 232,0</p>
--	--	--	---

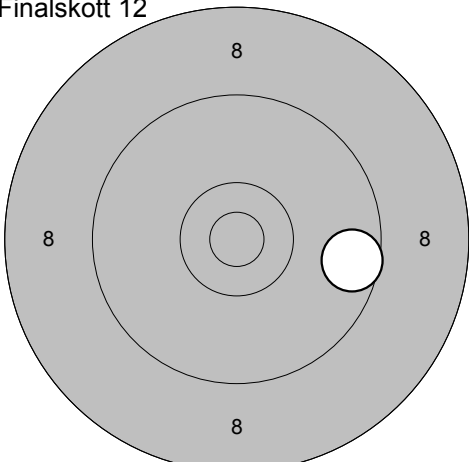
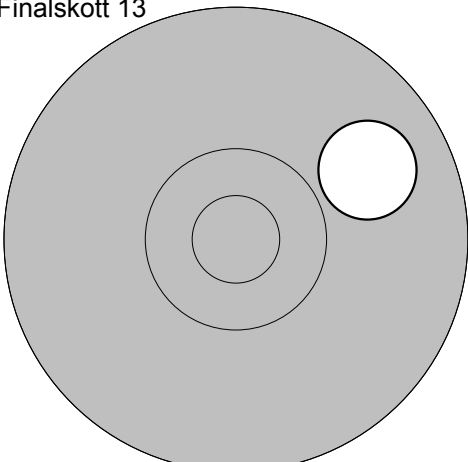
<p>10 Finals-kott</p> 	<p>6: 9,7 →</p> <p>7: 9,7 ↘</p> <p>8: 9,3 ↘</p> <p>9: 10,1 →</p> <p>10: 9,4 ←</p> <hr/> <p>Serie 46,0</p> <p>Totalt 278,0</p>	<p>Finals-kott 11</p> 	<p>1: 10,2 ↗</p> <hr/> <p>Serie 10,0</p> <p>Totalt 288,0</p>
---	--	---	---

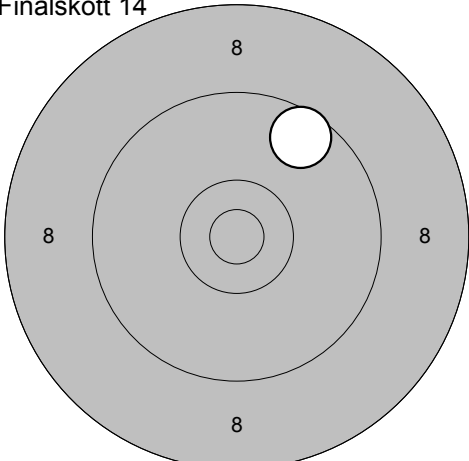
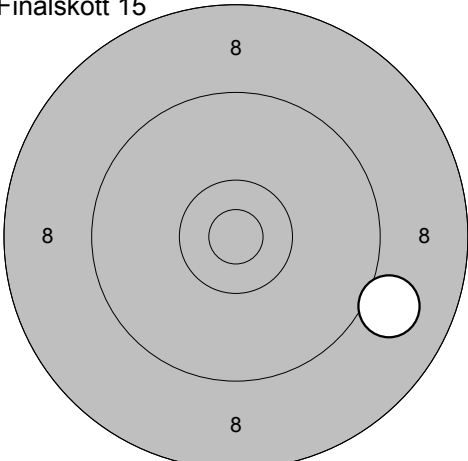
<p>Finals-kott 12</p> 	<p>1: 9,3 ↘</p> <hr/> <p>Serie 9,0</p> <p>Totalt 297,0</p>	<p>Finals-kott 13</p> 	<p>1: 8,2 ↘</p> <hr/> <p>Serie 8,0</p> <p>Totalt 305,0</p>
--	---	--	---

<p>Finals-kott 14</p> 	<p>1: 8,7 ↘</p> <hr/> <p>Serie 8,0</p> <p>Totalt 313,0</p>	<p>Finals-kott 15</p> 	<p>1: 9,9 ←</p> <hr/> <p>Serie 9,0</p> <p>Totalt 322,0</p>
--	---	--	---

<p>Provs-kott</p> 	<p>1: 10,9* ↘ 2: 7,6 ↘ 3: 7,1 ↘ 4: 7,2 ↘ 5: 9,7 ↘</p> <table border="1" style="width:100%; border-collapse: collapse;"> <tr><td>Serie</td><td style="text-align: right;">40,0</td></tr> <tr><td>Totalt</td><td style="text-align: right;">170,0</td></tr> </table>	Serie	40,0	Totalt	170,0	<p>10 Finals-kott</p> 	<p>1: 10,7* ↘ 2: 8,4 ↘ 3: 9,5 ↗ 4: 10,5* ↘ 5: 9,1 ↘</p> <table border="1" style="width:100%; border-collapse: collapse;"> <tr><td>Serie</td><td style="text-align: right;">46,0</td></tr> <tr><td>Totalt</td><td style="text-align: right;">216,0</td></tr> </table>	Serie	46,0	Totalt	216,0
Serie	40,0										
Totalt	170,0										
Serie	46,0										
Totalt	216,0										

<p>10 Finals-kott</p> 	<p>6: 9,8 ↘ 7: 9,7 ← 8: 9,8 ↘ 9: 10,5* ↘ 10: 8,6 ↘</p> <table border="1" style="width:100%; border-collapse: collapse;"> <tr><td>Serie</td><td style="text-align: right;">45,0</td></tr> <tr><td>Totalt</td><td style="text-align: right;">261,0</td></tr> </table>	Serie	45,0	Totalt	261,0	<p>Finals-kott 11</p> 	<p>1: 9,5 ↖</p> <table border="1" style="width:100%; border-collapse: collapse;"> <tr><td>Serie</td><td style="text-align: right;">9,0</td></tr> <tr><td>Totalt</td><td style="text-align: right;">270,0</td></tr> </table>	Serie	9,0	Totalt	270,0
Serie	45,0										
Totalt	261,0										
Serie	9,0										
Totalt	270,0										

<p>Finals-kott 12</p> 	<p>1: 9,6 →</p> <table border="1" style="width:100%; border-collapse: collapse;"> <tr><td>Serie</td><td style="text-align: right;">9,0</td></tr> <tr><td>Totalt</td><td style="text-align: right;">279,0</td></tr> </table>	Serie	9,0	Totalt	279,0	<p>Finals-kott 13</p> 	<p>1: 9,9 ↗</p> <table border="1" style="width:100%; border-collapse: collapse;"> <tr><td>Serie</td><td style="text-align: right;">9,0</td></tr> <tr><td>Totalt</td><td style="text-align: right;">288,0</td></tr> </table>	Serie	9,0	Totalt	288,0
Serie	9,0										
Totalt	279,0										
Serie	9,0										
Totalt	288,0										

<p>Finals-kott 14</p> 	<p>1: 9,6 ↗</p> <table border="1" style="width:100%; border-collapse: collapse;"> <tr><td>Serie</td><td style="text-align: right;">9,0</td></tr> <tr><td>Totalt</td><td style="text-align: right;">297,0</td></tr> </table>	Serie	9,0	Totalt	297,0	<p>Finals-kott 15</p> 	<p>1: 9,0 ⇒</p> <table border="1" style="width:100%; border-collapse: collapse;"> <tr><td>Serie</td><td style="text-align: right;">9,0</td></tr> <tr><td>Totalt</td><td style="text-align: right;">306,0</td></tr> </table>	Serie	9,0	Totalt	306,0
Serie	9,0										
Totalt	297,0										
Serie	9,0										
Totalt	306,0										